




Technical Guide  
March 2023 Edition 1

**Rio Plus:** electric heating solutions that help shape a sustainable future



# Rio Plus: electric heating solutions that help shape a sustainable future

## **THE POWER OF PRODUCT TECHNOLOGY**

Technology is making it easier than ever before for us all to contribute to a better future. Just think of electric vehicles, water purification, the use of solar energy, etc. Heating systems are also a good example since innovative product technologies allow users to do their bit for the environment on a daily basis. The new controls for our Rio Compact, Plan and Linea radiator have not only had an aesthetic update but continue to allow for energy savings through precision temperature setting and integrated digital protocols for custom heating. This in turn helps reduce energy waste in unoccupied rooms.

## **SAME CORE PRODUCT, NEW CONTROLS**

Those familiar with our panel radiators need no introduction to our electric Rio range. Whilst the high-quality steel panel radiator, in Compact, Plan and Profiled styles, along with the environmentally friendly fluid inside remain the same, the integrated electronic controls have been updated with a focus on user comfort and sustainability. Over and above the various features that guarantee precise and customised heating, the new integrated thermostat allows for optimal connectivity. Rio Plus radiators can now be controlled via an app as well as via voice control linked to any of the well-known home automation systems.

At Myson we want our products to evolve with the needs of both our customers and the world around us. The new Rio Plus radiators are a good example of a maturing product that's ready to help us shape a better future.



# Rio Plus – the smart and future-proof electric radiators

## SMART HEATING SOLUTION

Updated controls turn the Rio Compact, Plan and Linea into smart electric radiators. Via WiFi, users can control exactly when their heating is active and ensure that the heating is never left running by accident. The Rio Plus radiators can be regulated via a user-friendly app, and when a home automation system is installed, they can even be voice controlled.

Every radiator can be controlled separately, so users can easily save money and minimise energy waste by only heating the rooms they're actually using, rather than needlessly heating the entire space. Moreover, the app allows for a digital visualisation of the radiators' energy consumption so it's easy to monitor and adjust the energy usage whenever and wherever needed.

## ECO DESIGN

All our Rio Plus radiators comply with the European CE & UKCA marking and ECO Design directive. This guarantees that our radiators meet all ecological requirements and have a limited impact on the environment throughout their product life cycle.



### APP CAPABILITY

With the optional Zigbee gateway, the Rio Plus radiators can be conveniently controlled via app even when on the move.



### VARIETY OF DIMENSIONS

Rio Plus is available in two heights and many widths, in type 21, so there is a suitable radiator for almost every requirement.



### PRECISE TEMPERATURE CONTROL

The temperature can be set precisely on the control unit with an accuracy of 0.2°C.



### SILENT OPERATION

No moving parts and no hot water flowing through the radiator means absolute silence.



### DESIGN FLEXIBILITY

Three different front panel versions ensure that there is a suitable design for every interior style.



### TEMPERATURE LIMIT

The surface temperature of the front panel can be limited to, for example, 75°C or 60°C.



Rio Plan Plus

## SUSTAINABLE PRODUCT IN SUSTAINABLE PACKAGING

Electric radiators are inherently energy efficient as they convert every watt of electricity into usable heat. On top of that, our electric radiators, including the Rio Plus range, are filled with biodegradable vegetable oil, which allows the radiators to store their heat and slowly release it into their surroundings. This means the

radiators are great at retaining heat, even when they're turned off so that they combine a lower energy consumption with long-lasting thermal comfort.

Moreover, the improved controls help to further optimise the radiators' energy usage with precise temperature control to create heat exactly when and where it's needed. The possibility to power the electric

radiators with a renewable energy source such as solar panels (PV) is a valuable bonus in terms of product sustainability. To extend our focus on sustainability across the board, the Rio Plus radiators now also have a packaging composed of a majority of recycled or recyclable materials, which helps to reduce the product's ecological footprint without compromising its safety during transport.



Rio Linea Plus

Rio Compact Plus

### DAY AND WEEK PROGRAMME

*The adaptation to individual needs and time of use enables a particularly efficient mode of operation.*



### CONTEMPORARY RADIATOR

*The combination of good looks and high heating comfort turns Rio Plus radiators into the perfect match for the modern home.*



### OPEN WINDOW DETECTION

*This function switches off the radiator when it detects a sudden, rapid drop in temperature.*



### FAST HEATING

*Rio Plus are sealed oil-filled electric radiators, allowing them to reach the set temperatures more quickly.*



### EVEN HEAT DISTRIBUTION

*Each area of the heated surface is equally warm. There are no cold or warm spots.*



### ECO-FRIENDLY

*Recyclable steel filled with biodegradable vegetable oil, can be powered by energy from renewable sources.*



# Rio Plus

## Control options and configuration

### INTEGRATED CONTROLS FOR INCREASED USER COMFORT AND EFFICIENCY

All Rio Plus radiators are equipped with a user-friendly control for easy operation. The large, easy-to-read display shows all the essential information, such as the set temperature and current operating mode. The automatic mode allows users to create daily and weekly programmes, so that the heating times are fully in line with the users' needs. The open window detection

automatically decreases the temperature when the windows are open and thus helps to save energy.

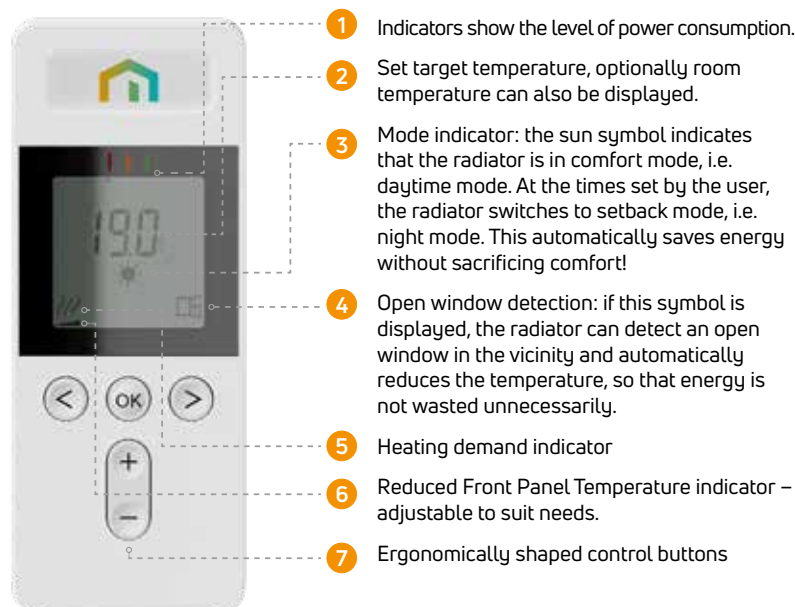
### PARENTS LOVE RIO PLUS

Since there are no sharp edges, the design of the Rio Plus is quite safe. Moreover, the keypad can be locked to prevent unintentional operation, a function that parents of small children particularly will appreciate. Additional safety is provided by the option to limit the maximum surface

temperature of the front panel, perfect for rooms frequented by high-risk individuals or children.

### ACCESSORIES FACILITATE OPERATION

With a separately available angle adapter, the display can be rotated 90°. This allows the display to remain easily accessible and easy to read. A great advantage in dark window niches, for example!



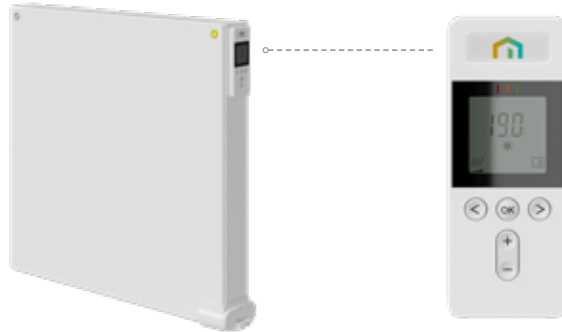
Clearly structured control panel with easy-to-read LCD display. Input is straightforward via the buttons below the display. For improved visibility, background lighting automatically switches on during input.



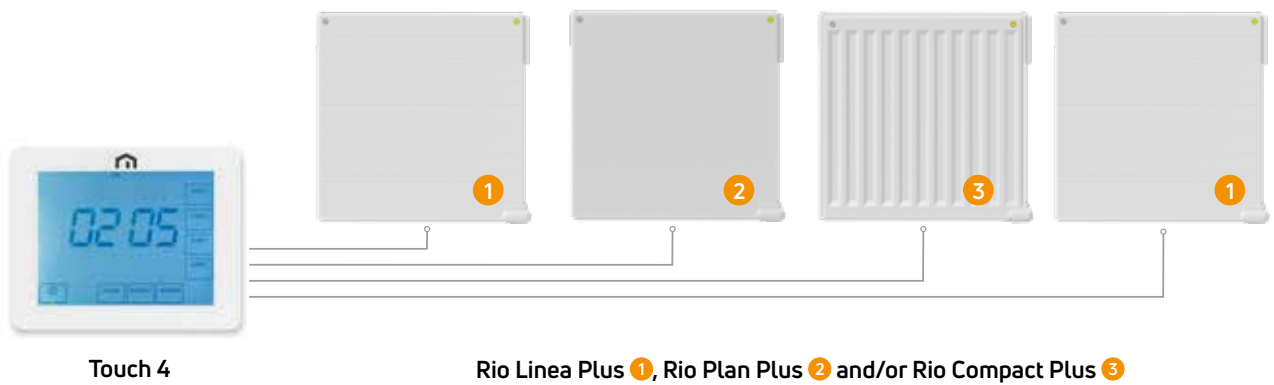
The optional angle adaptor facilitates operation and readability in confined installation situations.

- A Display
- B Optional angle adapter
- C Standard version with display on the side panel
- D Radiator with optional angle adapter

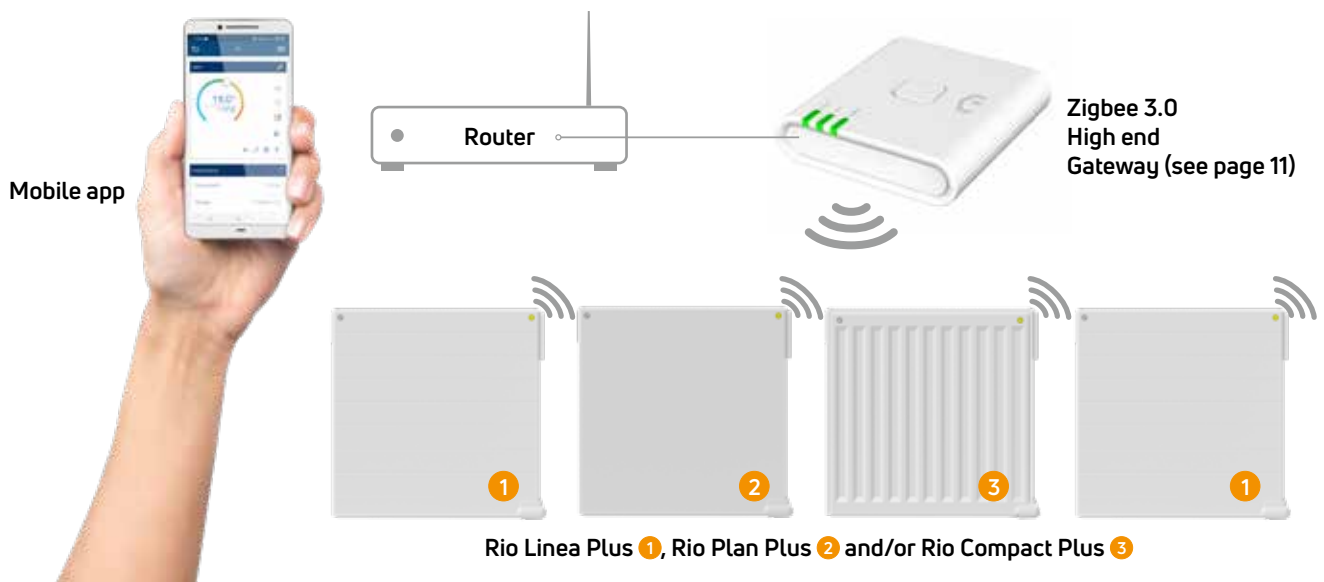
## STAND ALONE



## WITH TOUCH 4 (4-ZONE) ROOM THERMOSTAT (WIRED)



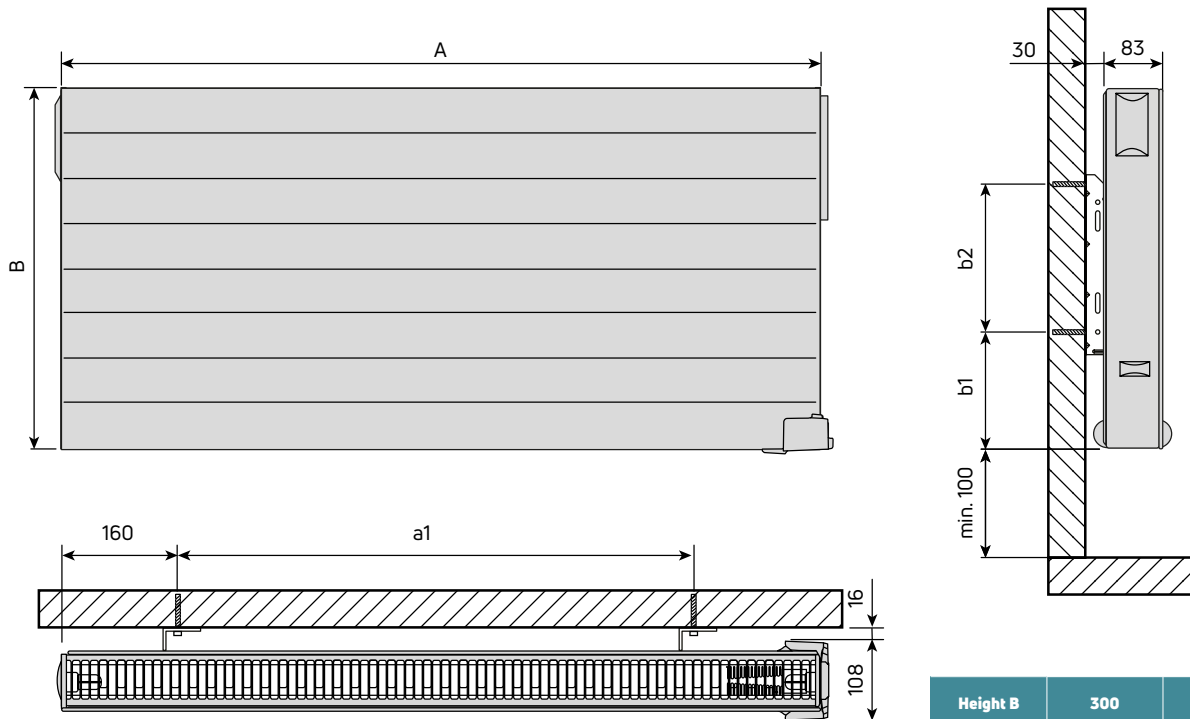
## APP VIA ACCESS POINT (WIFI)



# Rio Linea Plus

## Dimensions and heat outputs

### DIMENSIONS



Height B	300	500
<b>b1</b>	90	163
<b>b2</b>	135	205

Length A	400	500	650	800	950	1000	1250	1300	1600	2000
<b>a1</b>	101	203	355	508	660	711	965	1016	1320	1727

### RIO LINEA PLUS

Type	Nominal Height B mm	Nominal Length A mm	Depth * mm	Electric power W	Oil fill volume l	Weight kg	Product Code
21	300	500	83	500	2,09	13,91	RIOL30DX50Z
21	300	800	83	750	3,46	19,87	RIOL30DX80Z
21	300	1000	83	1000	4,36	24,18	RIOL30DX100Z
21	300	1300	83	1250	5,72	31,29	RIOL30DX130Z
21	300	1600	83	1500	7,07	37,35	RIOL30DX160Z
21	300	2000	83	2000	8,89	45,77	RIOL30DX200Z
21	500	400	83	500	2,63	17,06	RIOL50DX40Z
21	500	500	83	750	3,38	20,02	RIOL50DX50Z
21	500	650	83	1000	4,41	25,41	RIOL50DX65Z
21	500	800	83	1250	5,49	29,33	RIOL50DX80Z
21	500	950	83	1500	6,54	36,71	RIOL50DX95Z
21	500	1250	83	2000	8,61	46,01	RIOL50DX125Z

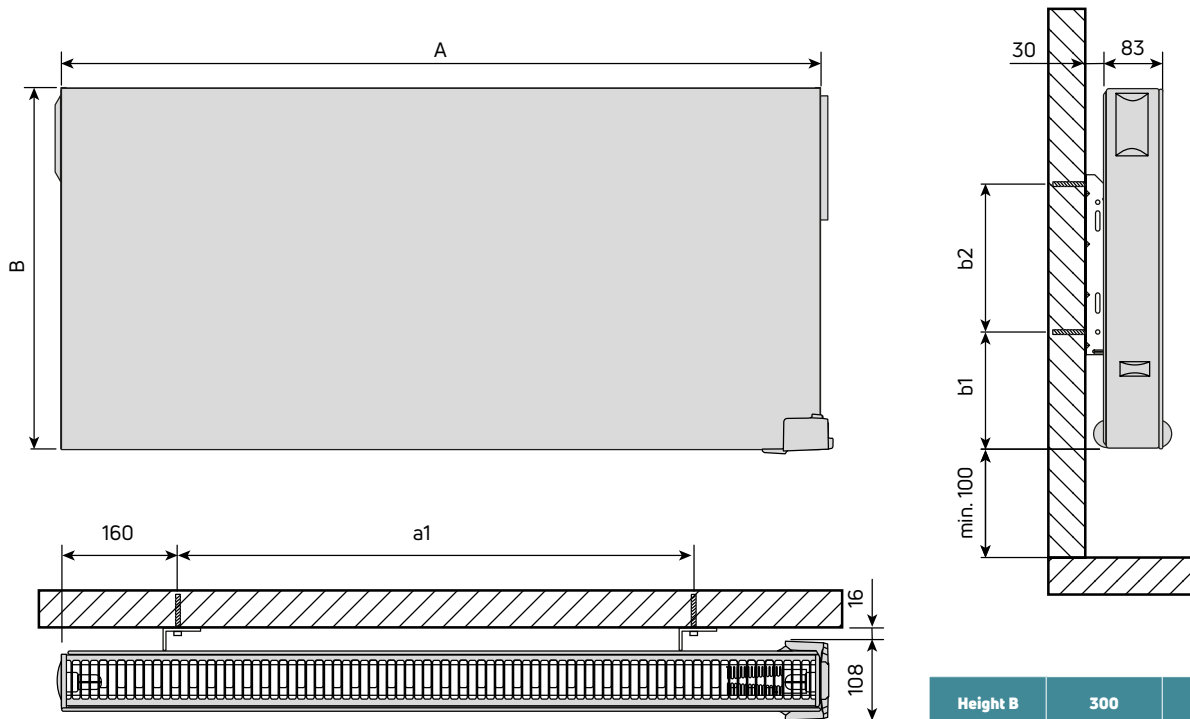
\*overall depth with control / power box 105mm



# Rio Plan Plus

## Dimensions and heat outputs

### DIMENSIONS



Height B	300	500
<b>b1</b>	90	163
<b>b2</b>	135	205

Length A	400	500	650	800	950	1000	1250	1300	1600	2000
<b>a1</b>	101	203	355	508	660	711	965	1016	1320	1727

### RIO PLAN PLUS

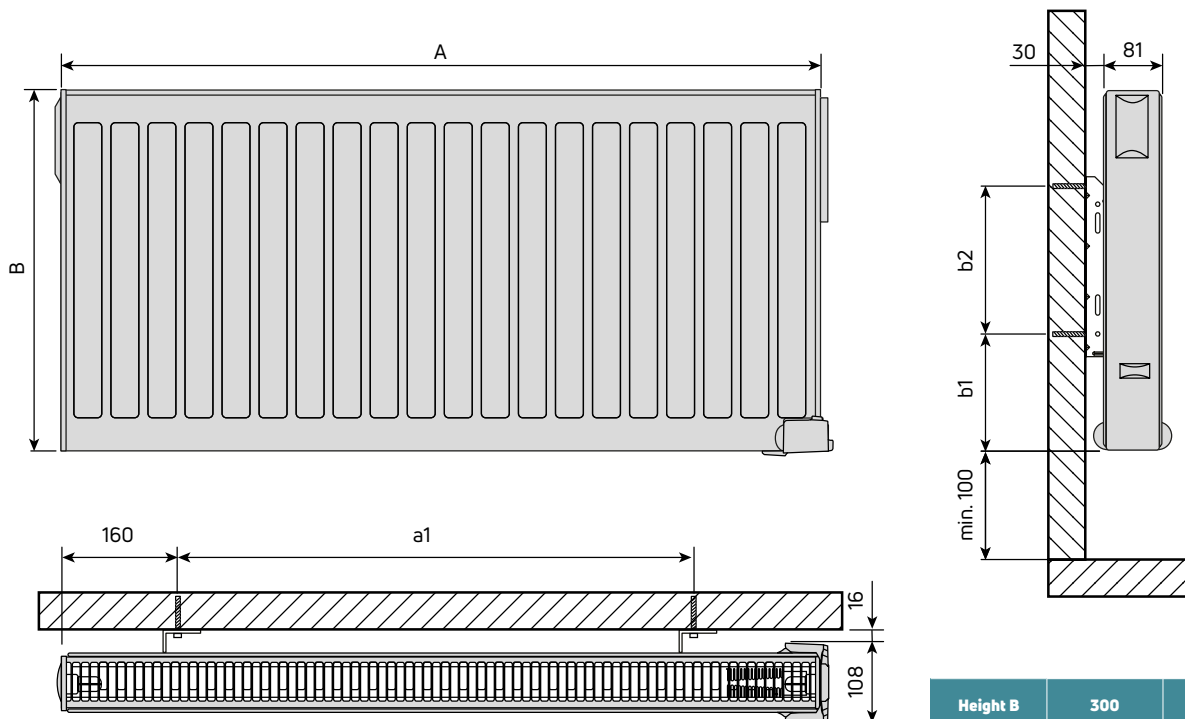
Type	Height B mm	Length radiator A mm	Depth * mm	Electric power W	Oil fill volume l	Weight kg	Product Code
21	300	500	83	500	2,09	13,91	RIOP30DX50Z
21	300	800	83	750	3,46	19,87	RIOP30DX80Z
21	300	1000	83	1000	4,36	24,18	RIOP30DX100Z
21	300	1300	83	1250	5,72	31,29	RIOP30DX130Z
21	300	1600	83	1500	7,07	37,35	RIOP30DX160Z
21	300	2000	83	2000	8,89	45,77	RIOP30DX200Z
21	500	400	83	500	2,63	17,06	RIOP50DX40Z
21	500	500	83	750	3,38	20,02	RIOP50DX50Z
21	500	650	83	1000	4,41	25,41	RIOP50DX65Z
21	500	800	83	1250	5,49	29,33	RIOP50DX80Z
21	500	950	83	1500	6,54	36,71	RIOP50DX95Z
21	500	1250	83	2000	8,61	46,01	RIOP50DX125Z

\*overall depth with control / power box 105mm

# Rio Compact Plus

## Dimensions and heat outputs

### DIMENSIONS



Height B	300	500
<b>b1</b>	90	163
<b>b2</b>	135	205

Length A	400	500	650	800	950	1000	1250	1300	1600	2000
<b>a1</b>	101	203	355	508	660	711	965	1016	1320	1727


### RIO COMPACT PLUS

Type	Height B mm	Length radiator A mm	Depth * mm	Electric power W	Oil fill volume l	Weight kg	Product Code
21	300	500	81	500	2,09	12,60	RIOC30DX50Z
21	300	800	81	750	3,46	17,75	RIOC30DX80Z
21	300	1000	81	1000	4,36	21,53	RIOC30DX100Z
21	300	1300	81	1250	5,72	27,83	RIOC30DX130Z
21	300	1600	81	1500	7,07	33,08	RIOC30DX160Z
21	300	2000	81	2000	8,89	40,43	RIOC30DX200Z
21	500	400	81	500	2,63	15,33	RIOC50DX40Z
21	500	500	81	750	3,38	17,85	RIOC50DX50Z
21	500	650	81	1000	4,41	22,58	RIOC50DX65Z
21	500	800	81	1250	5,49	25,83	RIOC50DX80Z
21	500	950	81	1500	6,54	32,55	RIOC50DX95Z
21	500	1250	81	2000	8,61	30,03	RIOC50DX125Z

\*overall depth with control / power box 105mm

# Rio Plus

## Accessories

ACCESSORIES			
Visual	Description	Model/type	Product code
	<p><b>Zigbee 3.0 High End Gateway</b>            Manage your installation remotely with a mobile application.            Adjust the temperature of each room.            Digital display of energy consumption.</p>	Rio Plus Series	<b>UNIPLGATEWAY</b>
	<p><b>Touch 4 Control</b>            For use with our electric Rio Plus radiators (additional ranges: Finesse, Decor &amp; Column) - Adjust the temperature of each room</p> <ul style="list-style-type: none"> <li>• Easy to use</li> <li>• Touch screen interface</li> <li>• 4 switching times per day</li> <li>• Holiday facility</li> <li>• Boost facility</li> <li>• Copy facility</li> <li>• Mode select (Auto, Constant, Off)</li> <li>• Up to 4 zones, each zone can be set to work in 5/2 or 7 day mode</li> </ul>	IP 20	<b>TOUCH4</b>
	<p><b>Rio 90 Degree Adaptor</b>            90° angle adaptor for room-side arrangement of the Rio display, suitable for Rio Compact Plus, Rio Plan Plus and Rio Linea Plus (also can be used with Myson Finesse control).</p>	Rio Plus Series	<b>RIOPLUS90ADP</b>



00000000000001\_Myson\_Technical-Guide\_Rio Plus\_2023-03-01\_01\_GB\_NA\_000000\_01

## MYSON

Purmo Group (UK) Ltd.  
Eastern Avenue  
Team Valley  
Gateshead  
Tyne & Wear  
NE11 0PG, UK  
T: +44 (0) 330 041 5474  
F: +44 (0) 191 491 7568  
generalenquiries@purmogroup.com  
www.myson.co.uk

MYSON is one of the oldest and most respected names in the heating industry. We have been manufacturing radiators and heat emitters for over 50 years. As one of the UK's leading brands, with a reputation for maximising the role of innovation and technology in our operations, we are committed to helping reduce national CO<sub>2</sub> emissions by developing energy efficient products that are capable of operating effectively at low flow temperatures.

Every care has been taken in the creation of this document. No part of this document may be reproduced without the express written consent of Purmo Group. Purmo Group accepts no responsibility for any inaccuracies or consequences arising from the use or misuse of the information contained herein.

