

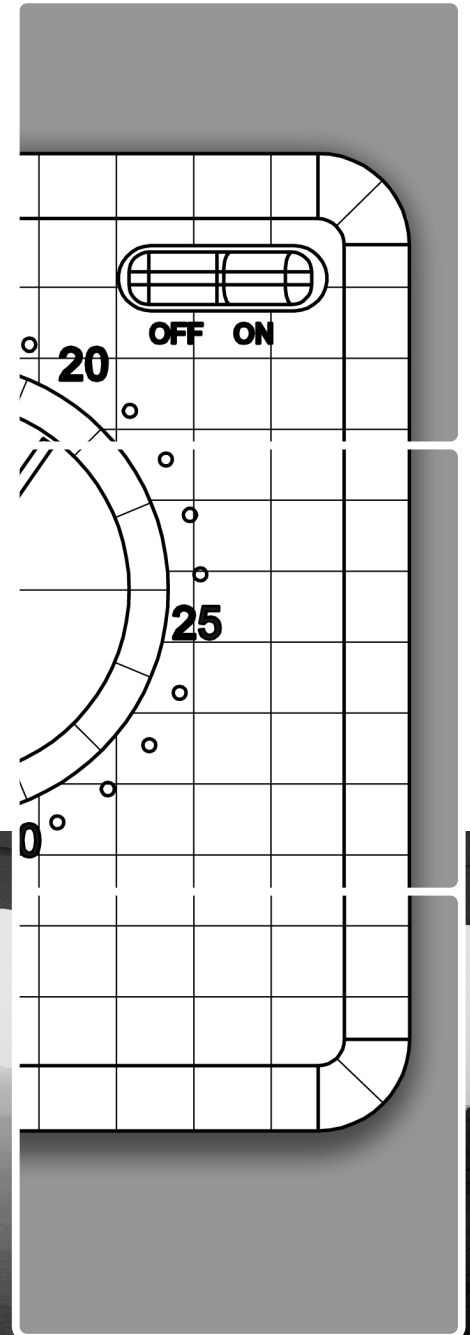
# REMOTE ROOM THERMOSTAT CONTROL. SWITCH INSTALLATION INSTRUCTIONS

Product Serial Number:

--	--	--	--	--	--	--	--	--	--

Please leave this manual with the end user.

Part Number: 1370062



## 1.0 General Information

- Please read these instructions thoroughly before proceeding with the installation.
- This remote control thermostat is suitable for operating one KICKSPACE® fan convector only.
- This kit must be installed by a qualified electrician.
- This accessory pack is designed to convert a KICKSPACE® fan convector from integral switch controls providing off, high and low fan speed selection and summer / winter option, to a remote wall mounted control of the same function with the addition of a room thermostat.

- This pack contains a 5 metre length of cord specially terminated and colour coded for the application. No other cord can be used to connect the remote control switch to the fan convector.

**Important: Isolate the electricity supply to the KICKSPACE® fan convector. Do not reinstate the supply until the installation has been completed in accordance with these instructions.**

## 2.0 Controls Switch

1. Locate a convenient wall space above the KICKSPACE® fan convector that will permit connection via the 5 metre cord supplied. The control should be mounted approximately 1.5 metres above floor level away from sources of moisture and heat. It must be situated away from draughts and not in areas affected by heat from radiators, ovens, windows etc. as shown in fig 1.
2. Remove the control knob, undo the side screw and take off the front cover.
3. The thermostat can be fixed either to a standard electrical back box or directly onto the wall.
4. Feed the electrical cables through one of the 2 rectangular holes in the back of the thermostat and using the end without crimp terminals, connect the 5 metre cord to the remote switch as per the wiring diagram below. Use the linkwires supplied with this kit to connect terminals 4 & 5 and 6 & 7 as per the wiring diagram, see fig 4.
5. The cord must be installed in accordance with current codes of practice. It should preferably be recessed, but if exposed,

it shall be protected by suitable conduit. Run the cord via the prepared route to the KICKSPACE® fan convector.

6. Replace front cover, fix with side screw and replace the control knob with soft manual pressure.

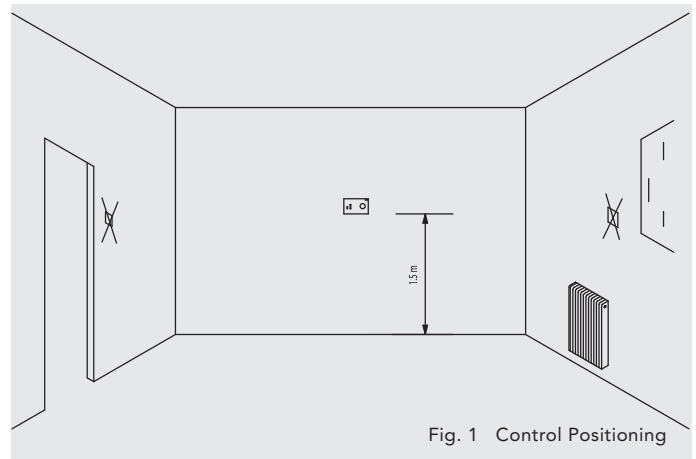


Fig. 1 Control Positioning

## 3.0 KICKSPACE® Unit

1. Remove the fixing screw and lift the tabs holding the electrical connections cover in place.
2. Locate the fan speed switch on the front of the control panel. Disconnect the red and yellow wires from the switch and also at the fan. Discard these wires.
3. Disconnect the brown wire from the back of the fan speed switch.
4. Cut the blue wire from the fan motor close to the summer / winter switch. Cut the incoming mains neutral wire close to the summer winter switch. Connect the mains neutral wire to the fan neutral using the 1 way terminal block supplied with this kit. Discard the remaining blue wires attached to the low limit thermostat and the summer/winter switch.
5. A cable clamp bush is supplied with the remote control kit. Route the cable through the hole in the side panel, and make the following connections:

Yellow lead: Connect to the low fan speed connector, see fig 2.  
 Red lead: Connect to the high fan speed connector, see fig 2.  
 Brown lead: Connect to the brown wire disconnected from the fan speed switch.  
 Green / Yellow: Connect to the chassis earth tag.  
 Blue lead: Connect to low limit thermostat.

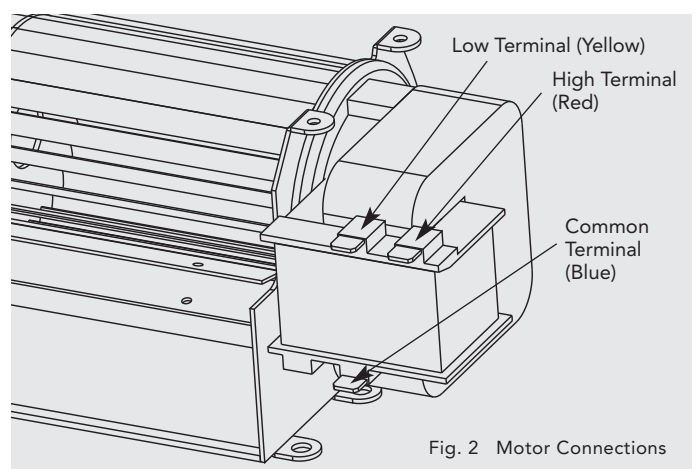


Fig. 2 Motor Connections

Fit the cable clamp bush onto the cable ensuring that internal wiring is not too tight, and that it does not contact the copper heat exchanger pipe-work.

6. Refit the electrical compartment cover onto the unit.
7. Reinststate the electrical supply to the KICKSPACE® fan convector.

## 4.0 Technical Data

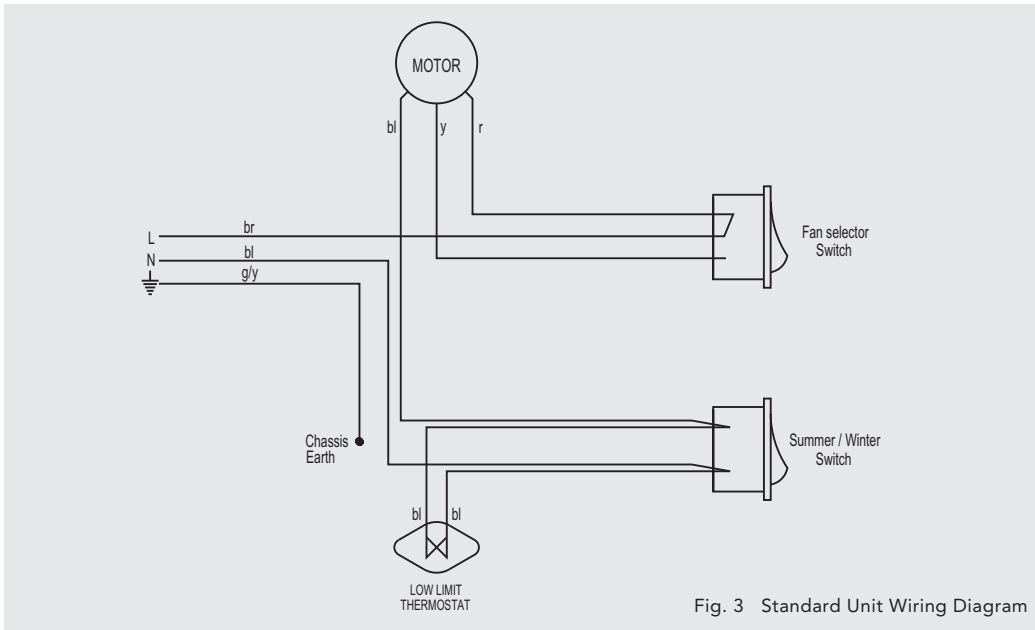


Fig. 3 Standard Unit Wiring Diagram

**Temperature Regulation:**

+5°C to +30°C

**Temperature Gradient:**

1K / 15 minutes

**Contact Power:**

6(2)A / 250V

**Temperature Differential:**

0.6°C at 20°C

**Electrical Protection:**

Class II, IP30

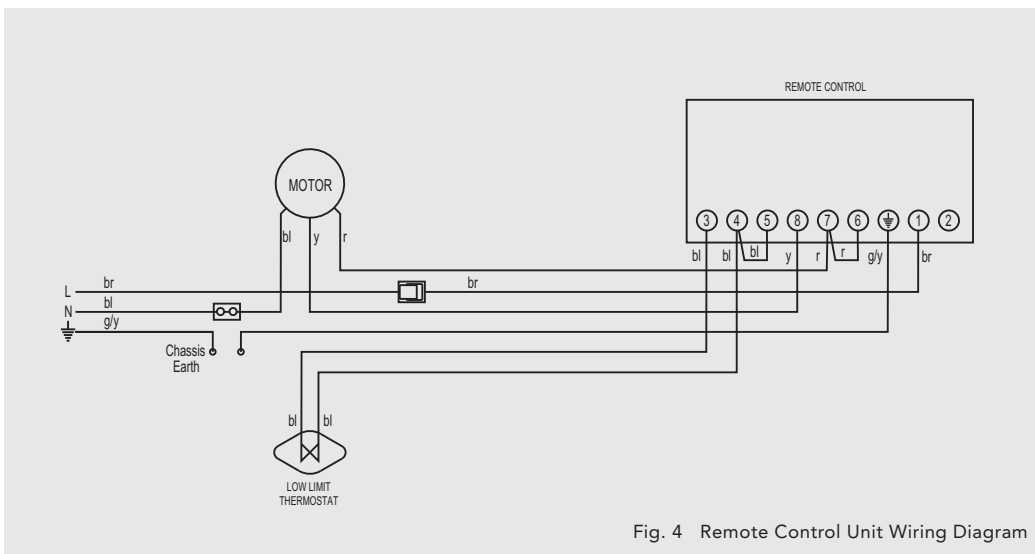


Fig. 4 Remote Control Unit Wiring Diagram

## 5.0 Operating Instructions

### Operation

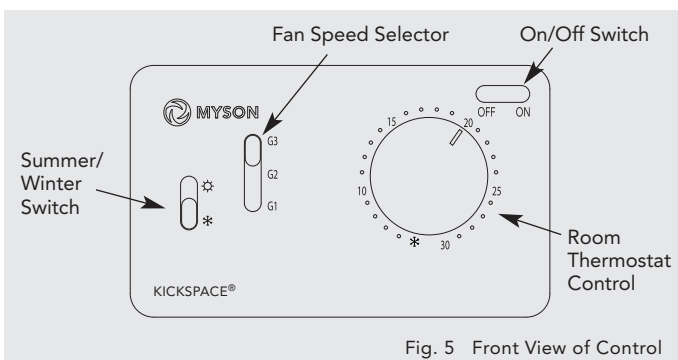


Fig. 5 Front View of Control

**Note:** Installation of this kit renders the switches on the KICKSPACE® fan convector inoperative.

**Note:** G2 & G3 both give boost for speed.

\* Ambient Cooling Mode (turn temperature control down to turn on fan).

☀ Heating Mode

### Limiting the Temperature Range

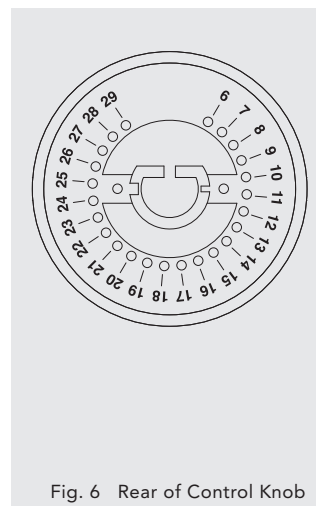


Fig. 6 Rear of Control Knob

1. Set the temperature control to the desired position.
2. Pull off the temperature control knob.
3. Position the stops housed in the central part of the inside of the knob in the holes that correspond to the chosen maximum and minimum temperatures. See fig 6.
4. Replace the control knob.



**MYSON** MYSON Eastern Avenue, Team Valley, Gateshead, Tyne & Wear NE11 0PG, UK  
T: 0845 402 3434, F: 0191 491 7568, sales@myson.co.uk, www.myson.co.uk

**After Sales Service:**

MYSON Service, Somerden Road, Hull, East Yorkshire HU9 5PE  
T: 01482 713927, F: 01482 789056, service.convectors@myson.co.uk

Spare parts and technical help on all Convector products are available from MYSON Service.



**heating**through**innovation.**