



MYSON has a range of traditional towel warmers that will give your bathroom a classic, vintage and elegant feel. From simple rails to more elaborate designs, there is something for everyone. Our traditional range is manufactured from the highest quality brass and all come with a beautiful, highly polished chrome finish that will add a touch of class to any bathroom. We also offer a range of accessories that complement the range and add the finishing touch, see page 138.

- Our traditional collection offers varied designs and includes both wall and floor mounted models
- There are combination products, such as DEE, that offer high heat outputs as well as traditional design
- Wow factor products, such as BUTTERMERE and AWE will stand out in any traditional bathroom design



BUTTERMERE



ULLSWATER



## TRADITIONAL TOWEL WARMERS



# AWE

AWE is an attractive and distinguished design. It is a floor standing towel warmer that will make a very stylish addition to any bathroom. It is manufactured from quality brass with a highly polished chrome plated finish which will create a focal point in any bathroom.



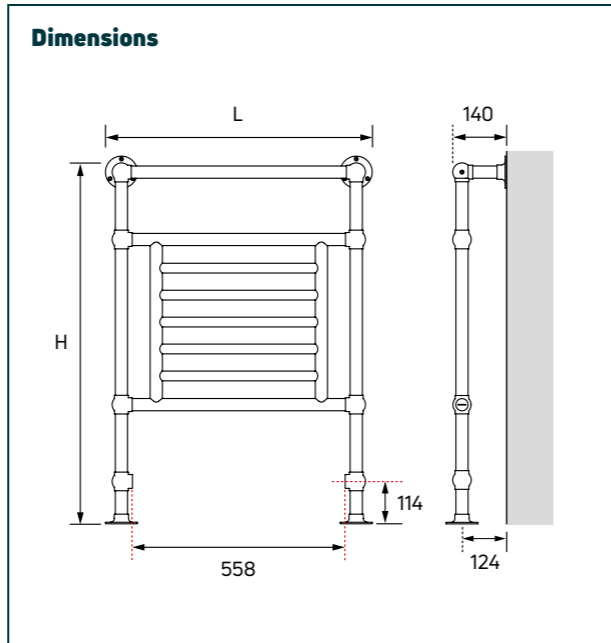
# BUTTERMERE

BUTTERMERE is a classic floor standing design that is guaranteed to add a strong, traditional feel to a bathroom. Its double-sided, curved shape and timeless look is both stylish and practical. It is manufactured from quality brass with a highly polished chrome plated finish which will create a focal point in any bathroom.



## General specification

- CERTIFICATION**  
Manufactured and tested to BS EN 442 & EN 442. Carries the CE & UKCA Mark. Produced under a quality management system - ISO 9001:2015, environmental management system - ISO 14001:2015 and Occupational health and safety management system - OHSAS 18001.
  - GUARANTEE**  
10 year guarantee from date of purchase against manufacturing defects.
  - COLOUR**  
Finished in chrome.
  - MATERIAL**  
Manufactured from brass.
  - ACCESSORIES**  
Please see page 138.
  - SYSTEM (INDIRECT)**  
2 pipe pumped indirect domestic and commercial heating applications.
  - SYSTEM (DIRECT)**  
Suitable for direct systems. Please refer to page 265 for information on dezincification.
  - CONNECTIONS**  
2 x 1/2" BSP as standard.
  - AIR VENTS**  
Integrated.
  - OPERATING PRESSURES**  
Tested to a pressure of 6.9 bar. Working pressure of up to 5.3 bar.
  - DUAL FUEL**  
PTC200 dual fuel heater kit available. Please see page 138.
  - APM<sup>®</sup> TECHNOLOGY**  
PTC heater kit comes with APM<sup>®</sup> technology. Please see page 265.
  - DELIVERY**  
Non-stocked item: 8 - 10 weeks.
  - VALVES**  
Please see page 234.
- For more general information, please see page 264.



### Weight & n-coefficient

Model	Weight (kg)	n-Coefficient
B27/1	10.50	1.240

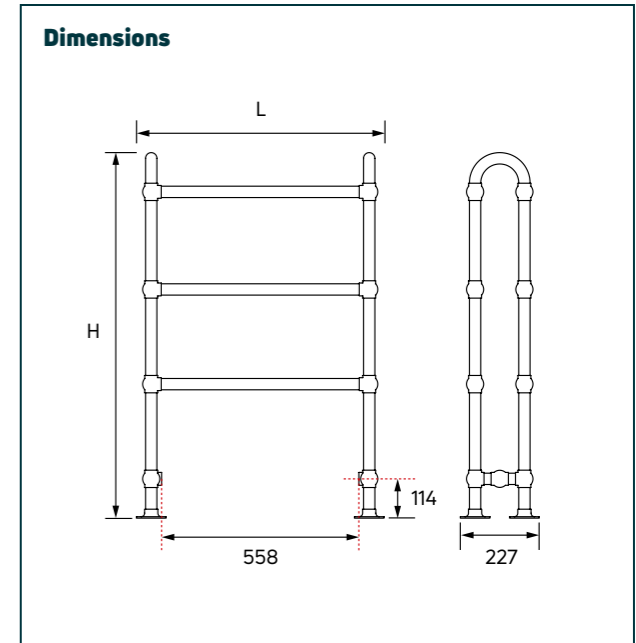
### Technical information & heat outputs

Order Code	Nominal Height (H) (mm)	Nominal Length (L) (mm)	Heat Outputs @ ΔT 50°C		Heat Outputs @ ΔT 30°C		Dual Fuel Rating (Watts)
			Watts	Btu/h	Watts	Btu/h	
B27/1*	955	693	223	761	118	403	200

\*Non-stock - made to order only.

## General specification

- CERTIFICATION**  
Manufactured and tested to BS EN 442 & EN 442. Carries the CE & UKCA Mark. Produced under a quality management system - ISO 9001:2015, environmental management system - ISO 14001:2015 and Occupational health and safety management system - OHSAS 18001.
  - GUARANTEE**  
10 year guarantee from date of purchase against manufacturing defects.
  - COLOUR**  
Finished in chrome.
  - MATERIAL**  
Manufactured from brass.
  - ACCESSORIES**  
Please see page 138.
  - SYSTEM (INDIRECT)**  
2 pipe pumped indirect domestic and commercial heating applications.
  - SYSTEM (DIRECT)**  
Suitable for direct systems. Please refer to page 265 for information on dezincification.
  - CONNECTIONS**  
2 x 1/2" BSP as standard.
  - AIR VENTS**  
Integrated.
  - OPERATING PRESSURES**  
Tested to a pressure of 6.9 bar. Working pressure of up to 5.3 bar.
  - DELIVERY**  
2 - 5 working days.
  - VALVES**  
Please see page 234.
- For more general information, please see page 264.

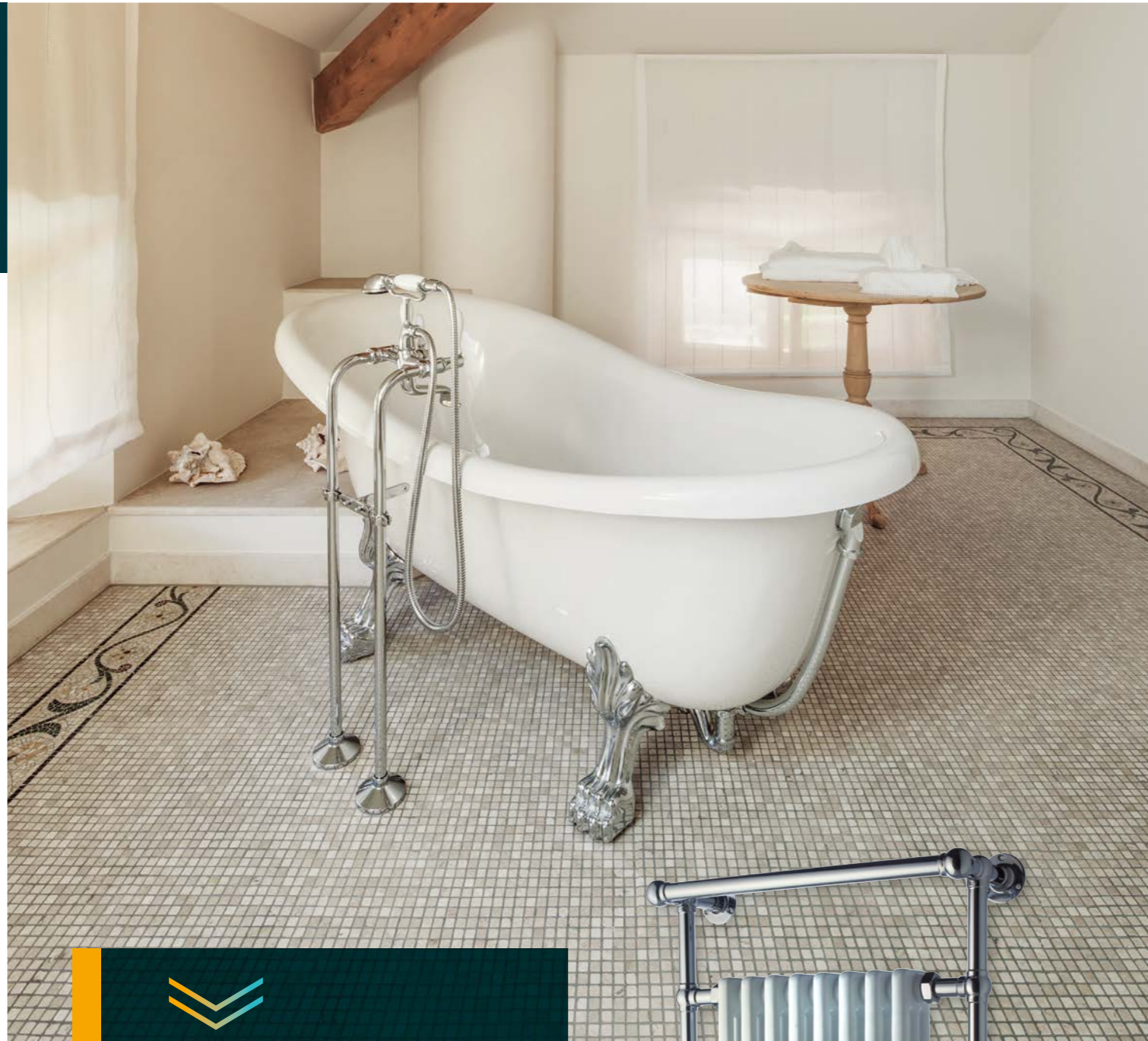


### Weight & n-coefficient

Model	Weight (kg)	n-Coefficient
B30	15.10	1.190

### Technical information & heat outputs

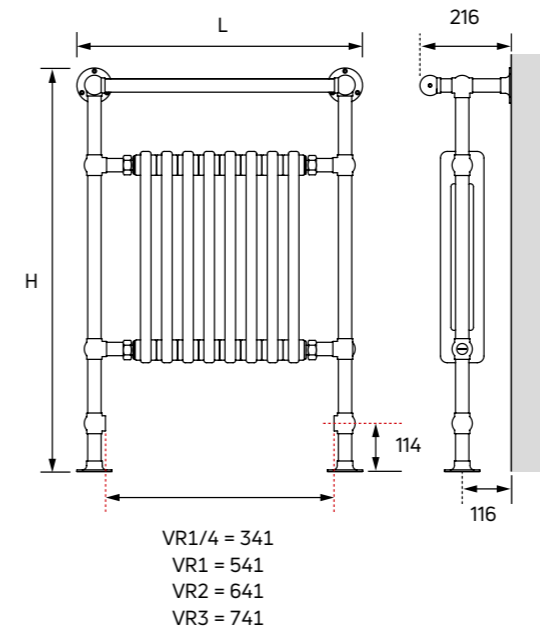
Order Code	Nominal Height (H) (mm)	Nominal Length (L) (mm)	Heat Outputs @ ΔT 50°C		Heat Outputs @ ΔT 30°C	
			Watts	Btu/h	Watts	Btu/h
B30	1026	693	325	1109	177	604



DEE is a high quality, floor standing combination radiator that will add a classic, vintage feel to your bathroom. With a beautiful COLUMN radiator nestled inbetween a traditional elegant chrome frame, this radiator offers you the best of both worlds.



**Dimensions**



**Weights & n-coefficients**

Model	Weight (kg)	n-Coefficient
VR1/4	15.60	1.224
VR1	21.30	1.224
VR2	24.40	1.224
VR3	27.00	1.224

**Dual fuel heater kits**

Model	Dual Fuel Order Code
VR1/4	PTC300
VR1	PTC400
VR2/VR3	PTC500

**General specification**

- CERTIFICATION**  
Manufactured and tested to BS EN 442 & EN 442. Carries the CE & UKCA Mark. Produced under a quality management system - ISO 9001:2015, environmental management system - ISO 14001:2015 and Occupational health and safety management system - OHSAS 18001.
- GUARANTEE**  
10 year guarantee from date of purchase against manufacturing defects.
- COLOUR**  
Frame finished in chrome. Radiator in white (RAL 9016).
- MATERIAL**  
Frame manufactured from brass. Radiator manufactured from steel.
- ACCESSORIES**  
Please see page 138.
- SYSTEM**  
2 pipe pumped indirect domestic and commercial heating applications.
- CONNECTIONS**  
2 x 1/2" BSP as standard.
- AIR VENTS**  
Integrated.
- OPERATING PRESSURES**  
Tested to a pressure of 9.6 bar. Working pressure of up to 7.4 bar.
- DUAL FUEL**  
PTC dual fuel heater kit options available. Please see table above or page 138.
- APM<sup>®</sup> TECHNOLOGY**  
PTC heater kit comes with APM<sup>®</sup> technology. Please see page 265.
- DELIVERY**  
2 - 5 working days. Non-stocked items: 8 - 10 weeks.
- VALVES**  
Please see page 234.

For more general information, please see page 264.

**Technical information & heat outputs**

Order Code	Nominal Height (H) (mm)	Nominal Length (L) (mm)	Heat Outputs @ ΔT 50°C		Heat Outputs @ ΔT 30°C		Dual Fuel Rating (Watts)
			Watts	Btu/h	Watts	Btu/h	
VR1/4*	955	476	423	1443	226	771	300
VR1	955	676	602	2054	322	1099	400
VR2*	955	776	692	2361	370	1262	500
VR3*	955	876	783	2672	419	1430	500

\*Non-stock - made to order only.



# INN

INN is a simple but stylish floor standing design that will enhance any bathroom. It has a classic, minimalistic look that is also very practical, making it an ideal choice for creating an understated, traditional feel. It is manufactured from quality brass with a highly polished chrome finish.



# SAXBY

SAXBY is a classic towel warmer design that is both simple and traditional. It is a practical and unobtrusive choice and will subtly enhance your bathroom with the benefit of both style and function. It is manufactured from quality brass and has a highly polished chrome plated finish.

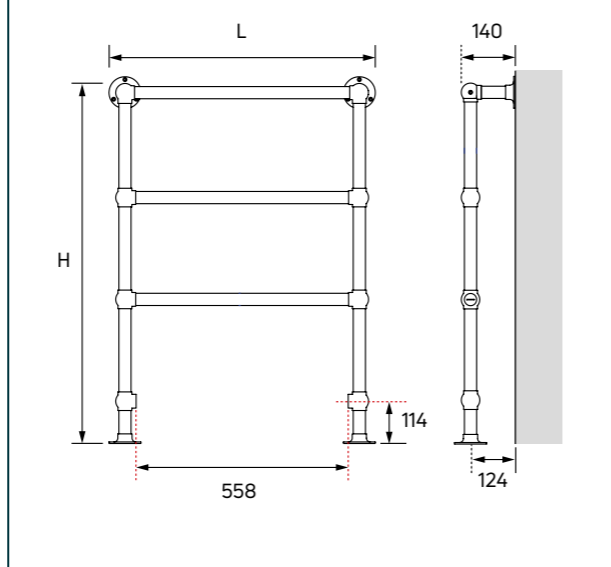


## General specification

- CERTIFICATION**  
Manufactured and tested to BS EN 442 & EN 442. Carries the CE & UKCA Mark. Produced under a quality management system - ISO 9001:2015, environmental management system - ISO 14001:2015 and Occupational health and safety management system - OHSAS 18001.
- GUARANTEE**  
10 year guarantee from date of purchase against manufacturing defects.
- COLOUR**  
Finished in chrome.
- MATERIAL**  
Manufactured from brass.
- ACCESSORIES**  
Please see page 138.
- SYSTEM (INDIRECT)**  
2 pipe pumped indirect domestic and commercial heating applications.
- SYSTEM (DIRECT)**  
Suitable for direct systems. Please refer to page 265 for information on dezincification.
- CONNECTIONS**  
2 x 1/2" BSP as standard.
- AIR VENTS**  
Integrated.
- OPERATING PRESSURES**  
Tested to a pressure of 6.9 bar. Working pressure of up to 5.3 bar.
- DUAL FUEL**  
PTC100 dual fuel heater kit available. Please see page 138.
- APM<sup>®</sup> TECHNOLOGY**  
PTC heater kit comes with APM<sup>®</sup> technology. Please see page 265.
- DELIVERY**  
2 - 5 working days.
- VALVES**  
Please see page 234.

For more general information, please see page 264.

### Dimensions



### Weight

Model	Weight (kg)
B24/1	8.50

### Technical information & heat outputs

Order Code	Nominal Height (H) (mm)	Nominal Length (L) (mm)	Heat Outputs @ ΔT 50°C		Heat Outputs @ ΔT 30°C		Dual Fuel Rating (Watts)
			Watts	Btu/h	Watts	Btu/h	
B24/1	955	693	146 <sup>†</sup>	498 <sup>†</sup>	79 <sup>†</sup>	269 <sup>†</sup>	100

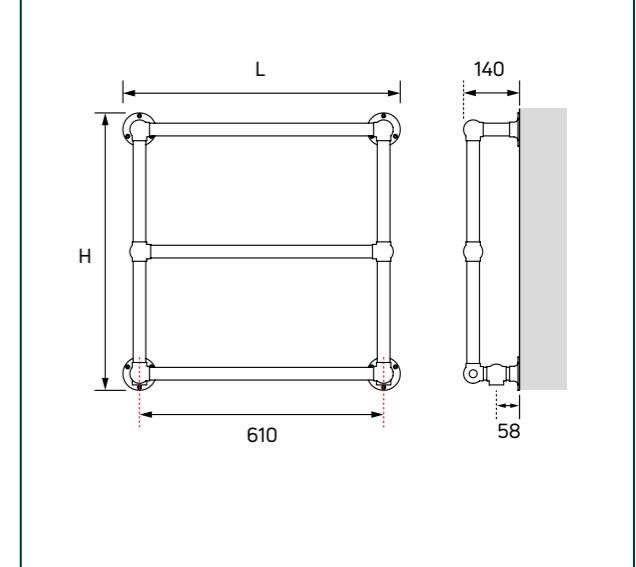
<sup>†</sup>Outputs NPD, see page 265.

## General specification

- CERTIFICATION**  
Manufactured and tested to BS EN 442 & EN 442. Carries the CE & UKCA Mark. Produced under a quality management system - ISO 9001:2015, environmental management system - ISO 14001:2015 and Occupational health and safety management system - OHSAS 18001.
- GUARANTEE**  
10 year guarantee from date of purchase against manufacturing defects.
- COLOUR**  
Finished in chrome.
- MATERIAL**  
Manufactured from brass.
- SYSTEM (INDIRECT)**  
2 pipe pumped indirect domestic and commercial heating applications.
- SYSTEM (DIRECT)**  
Suitable for direct systems. Please refer to page 265 for information on dezincification.
- CONNECTIONS**  
2 x 1/2" BSP as standard.
- AIR VENTS**  
Integrated.
- OPERATING PRESSURES**  
Tested to a pressure of 6.9 bar. Working pressure of up to 5.3 bar.
- DUAL FUEL**  
PTC100 dual fuel heater kit available. Please see page 138.
- APM<sup>®</sup> TECHNOLOGY**  
PTC heater kit comes with APM<sup>®</sup> technology. Please see page 265.
- DELIVERY**  
Non-stocked item: 8 - 10 weeks.
- VALVES**  
Please see page 234.

For more general information, please see page 264.

### Dimensions



### Weight

Model	Weight (kg)
B34/1	7.50

### Technical information & heat outputs

Order Code	Nominal Height (H) (mm)	Nominal Length (L) (mm)	Heat Outputs @ ΔT 50°C		Heat Outputs @ ΔT 30°C		Dual Fuel Rating (Watts)
			Watts	Btu/h	Watts	Btu/h	
B34/1*	693	693	199 <sup>†</sup>	679 <sup>†</sup>	10 <sup>†</sup>	367 <sup>†</sup>	100

\*Non-stock - made to order only. <sup>†</sup>Outputs NPD, see page 265.

# THIRLMERE

THIRLMERE is an elegant, minimalist design that projects a classic and simple style. It makes a subtle but important addition to any bathroom - unobtrusively and quietly satisfying the need for both style and function. It is manufactured from quality brass and has a highly polished chrome plated finish.



# ULLSWATER

ULLSWATER adds a touch of traditional style for any bathroom. It has a timeless quality which exudes rustic charm and its simple, rectangular framed design can be enhanced with traditional look valves for a truly authentic feel. It is manufactured from quality brass and has a highly polished chrome plated finish.

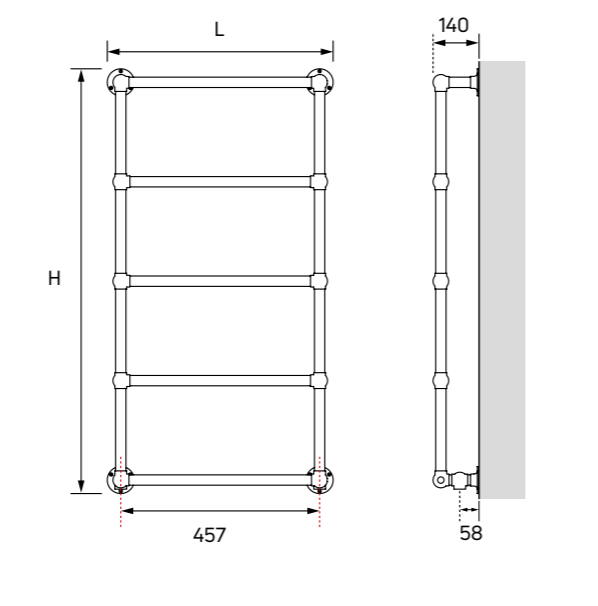


## General specification

- CERTIFICATION**  
Manufactured and tested to BS EN 442 & EN 442. Carries the CE & UKCA Mark. Produced under a quality management system - ISO 9001:2015, environmental management system - ISO 14001:2015 and Occupational health and safety management system - OHSAS 18001.
- AIR VENTS**  
Integrated.
- OPERATING PRESSURES**  
Tested to a pressure of 6.9 bar. Working pressure of up to 5.3 bar.
- DUAL FUEL**  
PTC150 dual fuel heater kit available. Please see page 138.
- GUARANTEE**  
10 year guarantee from date of purchase against manufacturing defects.
- COLOUR**  
Finished in chrome.
- MATERIAL**  
Manufactured from brass.
- SYSTEM (INDIRECT)**  
2 pipe pumped indirect domestic and commercial heating applications.
- SYSTEM (DIRECT)**  
Suitable for direct systems. Please refer to page 265 for information on dezincification.
- AIR VENTS**  
Integrated.
- OPERATING PRESSURES**  
Tested to a pressure of 6.9 bar. Working pressure of up to 5.3 bar.
- DUAL FUEL**  
PTC300 dual fuel heater kit available. Please see page 138.
- GUARANTEE**  
10 year guarantee from date of purchase against manufacturing defects.
- COLOUR**  
Finished in chrome.
- MATERIAL**  
Manufactured from brass.
- SYSTEM (INDIRECT)**  
2 pipe pumped indirect domestic and commercial heating applications.
- SYSTEM (DIRECT)**  
Suitable for direct systems. Please refer to page 265 for information on dezincification.
- AIR VENTS**  
Integrated.
- OPERATING PRESSURES**  
Tested to a pressure of 6.9 bar. Working pressure of up to 5.3 bar.
- DUAL FUEL**  
PTC150 dual fuel heater kit available. Please see page 138.
- GUARANTEE**  
10 year guarantee from date of purchase against manufacturing defects.
- COLOUR**  
Finished in chrome.
- MATERIAL**  
Manufactured from brass.
- SYSTEM (INDIRECT)**  
2 pipe pumped indirect domestic and commercial heating applications.
- SYSTEM (DIRECT)**  
Suitable for direct systems. Please refer to page 265 for information on dezincification.

For more general information, please see page 264.

### Dimensions



### Weight

Model	Weight (kg)
B35/1	10.50

### Technical information & heat outputs

Order Code	Nominal Height (H) (mm)	Nominal Length (L) (mm)	Heat Outputs @ ΔT 50°C		Heat Outputs @ ΔT 30°C		Dual Fuel Rating (Watts)
			Watts	Btu/h	Watts	Btu/h	
B35/1*	1303	540	226†	770†	122†	416†	150

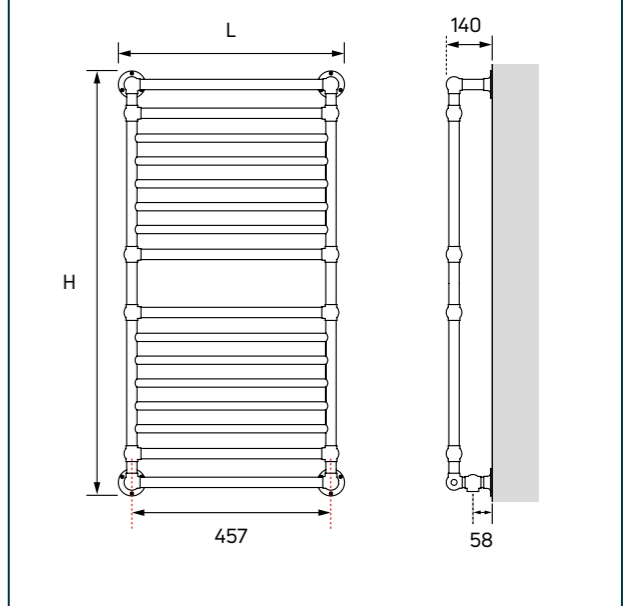
\*Non-stock - made to order only. †Outputs NPD, see page 265.

## General specification

- CERTIFICATION**  
Manufactured and tested to BS EN 442 & EN 442. Carries the CE & UKCA Mark. Produced under a quality management system - ISO 9001:2015, environmental management system - ISO 14001:2015 and Occupational health and safety management system - OHSAS 18001.
- AIR VENTS**  
Integrated.
- OPERATING PRESSURES**  
Tested to a pressure of 6.9 bar. Working pressure of up to 5.3 bar.
- DUAL FUEL**  
PTC300 dual fuel heater kit available. Please see page 138.
- GUARANTEE**  
10 year guarantee from date of purchase against manufacturing defects.
- COLOUR**  
Finished in chrome.
- MATERIAL**  
Manufactured from brass.
- SYSTEM (INDIRECT)**  
2 pipe pumped indirect domestic and commercial heating applications.
- SYSTEM (DIRECT)**  
Suitable for direct systems. Please refer to page 265 for information on dezincification.
- AIR VENTS**  
Integrated.
- OPERATING PRESSURES**  
Tested to a pressure of 6.9 bar. Working pressure of up to 5.3 bar.
- DUAL FUEL**  
PTC300 dual fuel heater kit available. Please see page 138.
- GUARANTEE**  
10 year guarantee from date of purchase against manufacturing defects.
- COLOUR**  
Finished in chrome.
- MATERIAL**  
Manufactured from brass.
- SYSTEM (INDIRECT)**  
2 pipe pumped indirect domestic and commercial heating applications.
- SYSTEM (DIRECT)**  
Suitable for direct systems. Please refer to page 265 for information on dezincification.

For more general information, please see page 264.

### Dimensions



### Weight & n-coefficient

Model	Weight (kg)	n-Coefficient
B36/1	14.40	1.218

### Technical information & heat outputs

Order Code	Nominal Height (H) (mm)	Nominal Length (L) (mm)	Heat Outputs @ ΔT 50°C		Heat Outputs @ ΔT 30°C		Dual Fuel Rating (Watts)
			Watts	Btu/h	Watts	Btu/h	
B36/1*	1302	540	350	1194	188	641	300

\*Non-stock - made to order only.











# TOWEL WARMERS

## Accessories

Product	Description	Order Code	Chrome
<b>Discreet Wire Kit</b> 	Covers the element end and cable. Suitable for the entire MYSON APM® electric range and selected dual fuel models.	DISCREET*	✓
<b>Cone Wire Kit</b> 	Covers the element end. Suitable for the entire MYSON APM® electric range and selected dual fuel models.	CONE*	✓
<b>Heater Kits ECO450 &amp; MHK</b> 	Dual fuel heater kit. Suitable for: KASAI, INTERLUDE, MARANOA, AVONMORE & TYNE. Multi-rail heater kit including APM® technology. Suitable for: LINDI, ANGARA & FERLO.	ECO450  MHK200 MHK300 MHK500	✓  ✓ ✓ ✓
<b>Heating Element</b> 	Dual fuel heating elements with APM® technology. Suitable for: STOUR, AWE, DEE, INN, SAXBY, THIRLMERE & ULLSWATER.	PTC75 PTC100* PTC150* PTC200* PTC300 PTC400 PTC500	✓ ✓ ✓ ✓ ✓ ✓
<b>Sleeving Kit</b> 	Covers water pipes and the holes through which they come. ½" to suit the valves used. Suitable for floor standing products.	SK15*	✓

For more information on APM® technology please see page 265.

\*Non-stock - made to order only.

Product	Description	Order Code	Chrome	White
<b>Towel Peg</b> 	Suitable for: FERLO, ANGARA, LINDI, AVONMORE, TYNE, FATALA & KASAI.	TPEG1	✓	-
<b>Towel Peg</b> 	Suitable for: FERLO, ANGARA, LINDI, AVONMORE, TYNE, FATALA & KASAI.	TPEG3*	✓ (Pack of 2)	✓ (Pack of 2)
<b>Towel Peg</b> 	Suitable for: FERLO, ANGARA, LINDI, AVONMORE, TYNE, FATALA & KASAI.	TPEG4*	✓ (Pack of 2)	✓ (Pack of 2)
<b>Towel Rail</b> 	500mm wide suitable for: FERLO, ANGARA, LINDI, AVONMORE, TYNE, FATALA & KASAI.	TRAIL1*	✓ (Straight & Curved)	✓ (Straight & Curved)
<b>Towel Rail</b> 	600mm wide suitable for: FERLO, ANGARA, LINDI, AVONMORE, TYNE, FATALA & KASAI.	TRAIL2*	✓ (Straight & Curved)	✓ (Straight & Curved)
<b>Towel Rail</b> 	Suitable for: FERLO, ANGARA, LINDI, AVONMORE, TYNE, FATALA & KASAI.	TRAIL3*	✓	✓
<b>Towel Ring</b> 	Suitable for: FATALA & KASAI.	TRING*	✓	-
<b>Towel Ring</b> 	Suitable for: FERLO, ANGARA, LINDI & AVONMORE.	TRING1*	✓	✓
<b>Laundry Rail (chrome)</b> 	Suitable for: KASAI & FATALA.	LRAIL*	✓	-
<b>Glass Shelf (chrome)</b> 	Suitable for: KASAI & FATALA.	GSHELF*	✓	-

\*Non-stock - made to order only.