



# iVECTOR (TYPES BC, BN, FC, FN)

**EN** INSTALLATION & OPERATING MANUAL

**DE** INSTALLATIONS- UND BEDIENUNGSANLEITUNG

**FR** MANUEL D'INSTALLATION ET D'UTILISATION

**NL** INSTALLATIE- EN BEDIENINGSHANDLEIDING

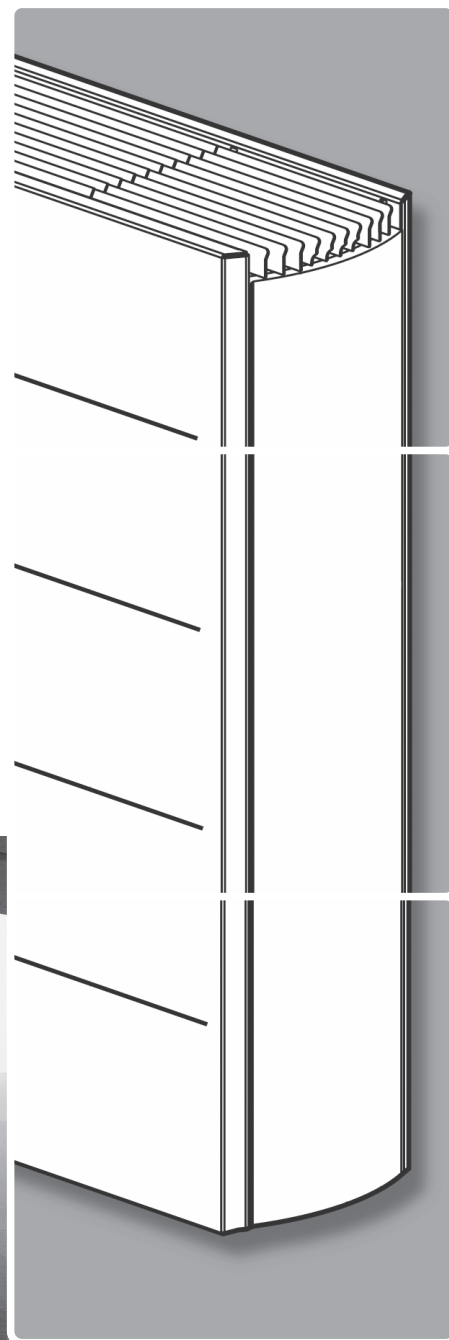
**PL** INSTRUKCJA OBSŁUGI I UŻYTKOWANIA

Product Serial Number/Produktseriennummer/Numéro de série du produit/  
Seriennummer product/Numer seryjny produktu:

--	--	--	--	--	--	--	--

Please leave this manual with the end user/Diese Anleitung ist für den Verbleib  
beim Endbenutzer bestimmt/Ce manuel doit être à disposition de l'utilisateur  
final/Geef deze handleiding aan de eindgebruiker/Niniejszą instrukcję należy  
przekazać użytkownikowi końcowemu.

Part Number/Teilenummer/Référence du produit/Artikelnummer/Numer części: P25M1387



**heating**through**innovation.**



**CE**

## Contents

1.0	Safety Information	02	5.0	Controls (types BC & FC only)	04
2.0	Installation	03	6.0	Troubleshooting	07
3.0	Water Connection	03	7.0	Appendices	32
4.0	Electrical Connection	03			

### 1.0 Safety Information

**iVECTOR MUST NOT be installed in a bathroom.**

**WARNING: All iVECTOR models must be earthed.**

**DO NOT cover or obstruct the air inlet or outlet grille.**

This appliance can be used by children aged from 8 years and above and persons with reduced physical or mental capabilities or lack of experience and knowledge if they have been given supervision or instruction concerning the use of the appliance in a safe way and understand the hazards involved.

Children shall not play with the appliance. Cleaning and user maintenance shall not be made by children unless they are older than 8 years and supervised.

Keep the appliance and its cord out of reach of children aged less than 8 years.

Children of less than 3 years should be kept away from the unit unless continuously supervised.

Children aged from 3 years and less than 8 years shall only switch on/off the appliance provided that it has been placed or installed in its normal operating position and they have been given supervision or instruction concerning use of the appliance in a safe way and understand the hazards involved.

Children aged from 3 years and less than 8 years shall not plug in, clean the appliance or perform user maintenance.

This fan convector must be installed by qualified engineers.

This fan convector must not be installed immediately below a socket outlet.

Do not install this fan convector in areas where excessive dust exists.

## 2.0 Installation

For the correct installation of this unit it is essential that fixing is carried out in such a way that it is suitable for intended use and predictable misuse. A number of elements need to be taken into consideration including the fixing method used to secure it to the wall, the type and condition of the wall itself, and any additional potential forces or weights that may happen to be applied to the unit, prior to finalising installation.

Before proceeding with the installation, remove the carton lid, unpack the content and check against the items shown in FIG 1. Also check contents for concealed shipping damage.

- |                       |                   |
|-----------------------|-------------------|
| 1. Chassis            | 5. Fixing kit     |
| 2. Outer casing       | 6. Filter         |
| 3. Warranty card      | 7. Grille*        |
| 4. Instruction manual | 8. Remote sensor† |

\*Type FN/FC only

†4 pipe only

Check the location where the product is to be installed, the wall surface must be flat and clearances shown in FIG 2 must be available. If iVECTOR is fitted to a stud wall, there may be an adverse effect on the sound levels especially with the higher fan speeds. If the iVECTOR is to be used for cooling applications then the disposal of the condensate must be considered.

For types BC and BN follow stages a-f from FIG 5 and for types FC and FN follow stages a-c then g-i to show how to fit product to the wall.

**Note:** Do not fit outer casing until water (Section 3) and electrical connections (Section 4) have been completed.

Type BN - Bottom inlet/no controls

Type BC - Bottom inlet/intergrated controls

Type FN - Front inlet/no controls

Type FC - Front inlet/intergrated controls

## 3.0 Water Connection

**Note:** Before making the pipe-work connections ensure pipes have been sized correctly in line with the flow rate and pressure loss requirements .

- Pipes should be sized based on flow rates and pressure loss requirements.
- Connect to heat exchanger - G 3/4 inch fittings.
- Care should be taken when connecting the flow and return pipes to the iVECTOR, see FIG 3 for information also a range of routing options can be found in FIG 4.
- Isolation valves are not supplied with this unit however it is advised they are fitted in case of future service requirements.

- If the iVECTOR is to be used for cooling applications with chilled water then the pipe-work supplying the chilled water should be insulated. Condensate will form at the coil and fall into the condensate collector, see FIG 6. Provision must be made for condensate disposal in accordance with any local regulations.

- Fill and vent the system, open all valves fully and vent from the heat exchanger, see FIG 7 then check for leaks.
- Heating and cooling pipework under the iVECTOR must be insulated.

## 4.0 Electrical Connection

**WARNING:** All iVECTOR models must be earthed.

- **The electrical installation must comply with local or national wiring regulations and should be carried out by a qualified electrician.**
- This unit is supplied with factory fitted test leads. Remove these and discard.
- A fused electrical spur with a maximum 3A fuse and a switch having 3mm separation on all poles must be provided in an easily accessible position adjacent to the unit.
- Electrical cable entry to the unit should be made through the underside of the unit, into the control box on the right hand side using the cable gland provided. The supply cord must be 0.75mm<sup>2</sup> only.
- Connect the live and neutral and earth to the wiring block terminal connections.
- Follow stages a-c shown in FIG 8 to access the control panel. Product wiring diagrams are shown in FIG 10.
- When using a valve kit with an actuator, it is possible to remove the terminals from the power board for easy installation, this is shown in FIG 8d. The cable should also be routed via the diagram in FIG 8e.
- When using an external air sensor for cooling applications the existing sensor must be removed and the new sensor installed in its place as shown in FIG 8f-8g, the external sensor should be positioned as shown in FIG 8h-8i.
- Units with controls (type BC/FC) can be used to control units with no controls (type BN/FN) by taking the 0-10V output from the type BC/FC to the type BN/FN in accordance with wiring diagram 10c. Interconnecting wires should be 22AWG, 60°C in rating.
- An external room thermostat can be used to control No Control (type BN/FN) units. The thermostat must have a 0-10V output.
- It is possible to control up to 5 no controls units (type BN/FN) from a unit with controls (type BC/FC) or up to 6 no control units (type BN/FN) from an external controller (supplied by others). See wiring diagram 10a 'B' for the output signal from the controls unit and 10b 'D' for the input signal from the controls unit to the no controls unit, this is also the same input signal for the external controller as shown in 10b 'D'.
- Multiple valves (up to 6) can be controlled from a type BC/FC as shown in FIG 10e.

For cooling applications an external sensor is required, see FIG 8f - 8i

### 5.0 Controls

Note: When increasing the heating set-point beyond the cooling set point, the cooling set point will increase in line with the heating set-point. Additionally, if the heating set-point is increased further until it reaches the cooling set-back temperature, the set-back temperature will also increase with the heating set-point.

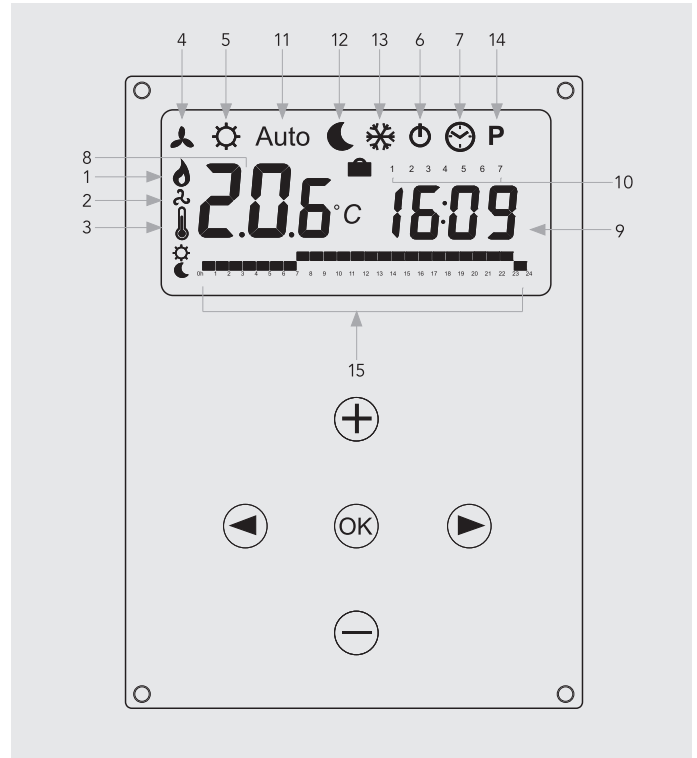
Similarly, when decreasing the cooling set point below the heating set-point, the heating set point will decrease in line with the cooling set-point, and if the cooling set-point is decreased further until it reaches the heating set-back temperature, the heating set-back temperature will also decrease with the cooling set-point.

#### Display

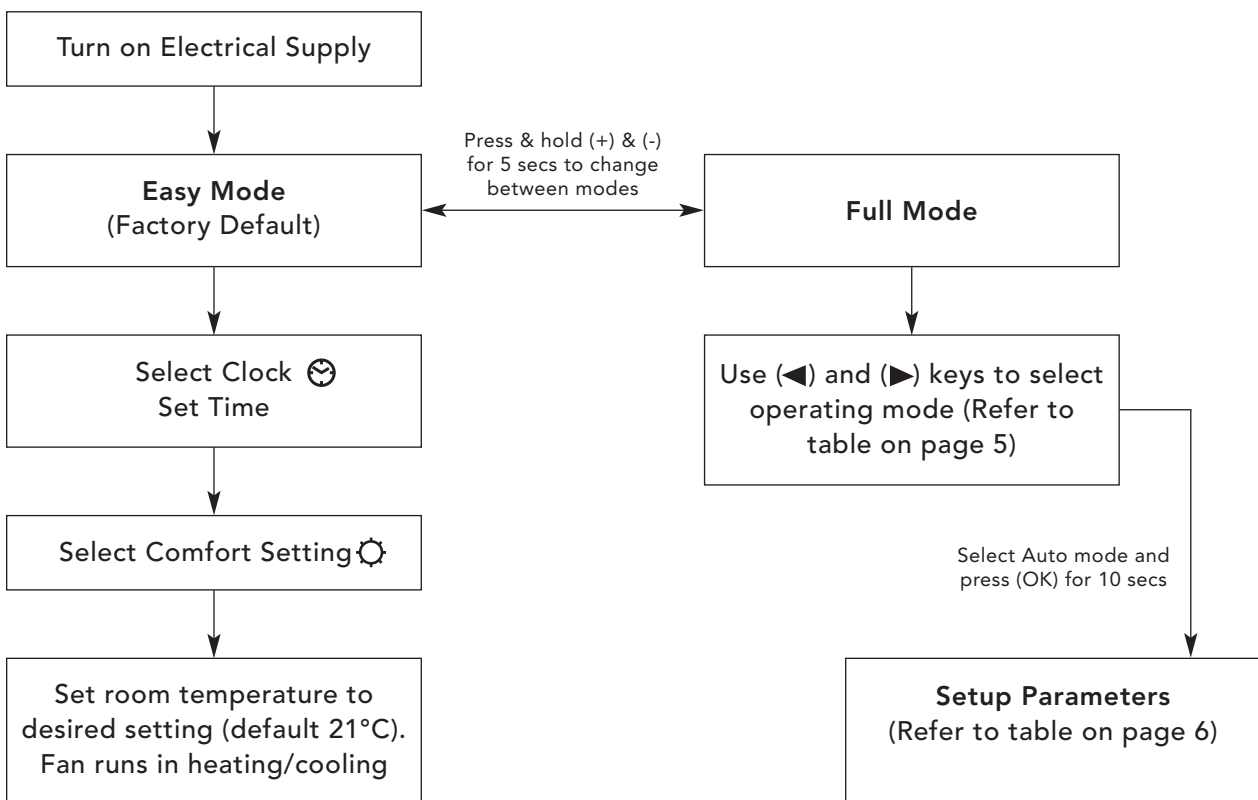
1. Heating indicator
2. Cooling indicator
3. Temperature symbol – when this is displayed the current room temperature is displayed
4. Fan speed symbol (fan blades will rotate when active)
5. Comfort setting
6. Power (on/off)
7. Clock setting
8. Room temperature
9. Time
10. Day of the week
11. Auto setting (to follow set programme) - Full mode only
12. Night set-back setting - Full mode only
13. Holiday setting - Full mode only
14. Program menu - Full mode only
15. Program schedule - Full mode only

#### Keys:

- OK Validation key (OK)
- + Plus key (up)
- Minus key (down)
- ◀ Navigation left
- ▶ Navigation right








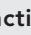



#### Unit Operation



## 5.0 Controls (continued...)

### Operating Modes

Use (◀) and (▶) keys to choose from the following parameters. A function is selected when the icon is surrounded by □.

Function	Description	Adjustment	Availability	
			Easy	Full
	<b>Control Operation Setup</b> The unit must be programmed for operation in heating only, cooling only or heating and cooling.	<b>Control Operation Setup</b> Scroll to the Fixed Fan mode  , and then press on the (◀) key. Use (+) or (-) keys to choose from the following: <b>Nod (Mode) HOt</b> for heating. <b>Nod (Mode) COld</b> for cooling. <b>Nod (Mode) AUtO</b> for heating and cooling. Press (OK) to confirm.	No	Yes
	<b>Fixed Fan Setting</b> F1, F2, F3 gives fan speed 1,2 or 3 respectively with no temperature control.	Use (+) or (-) to select and press (OK) to confirm. (Note the fan speed symbol will only appear when the fan is running).	Yes	Yes
	<b>Comfort Setting</b> Provides room temperature control with automatic fan speed adjustment according to difference between actual and set temperature. The fan operates when water $\geq 32^{\circ}\text{C}$ in heating or $\leq 15^{\circ}\text{C}$ cooling or selected set points.	Press (OK) to view the set temperature. Use (+) or (-) to adjust the required room temperature. Default setting is $21^{\circ}\text{C}$ in Heating and $22^{\circ}\text{C}$ in cooling.	Yes	Yes
Auto	<b>Automatic Setting</b> The unit will run according to one of the 9 preset timed programs, or one of the 4 user defined programs.	See page 6 for program options and setup. Press (OK) to view the actual set temperature (Comfort or Set-back).	No	Yes
	<b>Night Set-back Setting</b> Provides room temperature control with automatic fan speed adjustment according to difference between actual and night set-back temperature.	Press (OK) to view the set temperature. Use (+) or (-) to adjust the required room temperature. Default setting is $19^{\circ}\text{C}$ in Heating and $24^{\circ}\text{C}$ in cooling.	No	Yes
	<b>Holiday Function</b> Provides frost protection or overheat protection during periods of absence (holiday). The control will count down the time to "00" after which control is resumed in Auto setting. For frost protection the set temperature is $7^{\circ}\text{C}$ . For overheat the set temperature is $30^{\circ}\text{C}$ .	Select  and is  displayed. Use the (+) and (-) to adjust the duration. (In hours "H" if below 24H and then in days "d"). Use the (-) key to interrupt this period and adjust the duration on "no".	No	Yes
	<b>Power On/Off</b> Turns unit on/off.	Press (OK) to turn the power on or off.	Yes	Yes
	<b>Set Clock Menu</b> Displays time in 12h or 24h format.	Press (OK) Use the (+) and (-) keys to set the minutes. Press (OK) Use the (+) and (-) keys to set the hours. Press (OK) Use the (+) and (-) to set the days. Press (OK).	Yes	Yes
P	<b>Program Menu</b> Provides choice from 9 pre-programed and 4 user defined timed programs.	See page 6, program mode.	No	Yes

## 5.0 Controls (continued...)

### Installer's Set-up Parameters

To access the installation parameters menu, scroll to **AUTO** (while in full mode), then press **(OK)** for 10s. Use **(◀)** and **(▶)** keys to highlight the parameter to be adjusted. Press **(OK)** to toggle the parameter setting, when the value starts to blink, use

the **(+)** and **(-)** keys to adjust the value. Then, press **(OK)** to confirm. Once parameters are set, go to **<End>** parameter and press **(OK)** to go back to the main menu.

Parameter Name	Description	Default Setting	Alternative Setting
<b>dEG</b>	Select temperature scale.	°C	°F
<b>00:00</b>	Select the hour format.	12H	24H
<b>Air (Air)</b>	Calibration of the internal air sensor against the actual room temperature. (The calibration must be done after 12 hours working at the same set temperature).	To adjust the air sensor temperature, enter the measured temperature using the (-) or (+) keys. To confirm the calibration, press (ok) Press (+) and (-) keys at the same time to reset the offset value.	
<b>CSP</b>	Cooling set point.	The default water switching temperature for cooling is 15°C, this can be altered by pressing (+) or (-) keys then pressing (ok) to confirm.	
<b>HSP</b>	Heating set point.	The default water switching temperature for heating is 32°C, this can be altered by pressing (+) or (-) keys then pressing (ok) to confirm.	
<b>Nb vAL (2 Pipe models only)</b>	Selection of the number of valves to be driven. This parameter depends on the system design.	0 valve	1 valve
<b>FAS SPEE</b>	Allows the maximum fan speed to be switched off - the unit will only run in Low and Medium speeds.	FA5 For Fast	NEd For Medium
<b>NIGt</b>	Select option for fan speeds when the unit reverts to night set back in cooling operation.	NOr (For Normal regulation)	AL1 (Fan speed 1 only)
<b>CLr ALL</b>	Reverts the control back to factory settings.	Press (OK) for 5 seconds	
<b>End</b>	Exit the installation menu.	Press (OK)	

### Program Mode

#### Built-in Program Selection

A quantity of 9 built-in (P1-P9) and 4 user defined (U1-U4) timed program options are available to choose from. Each day is divided into 24 one hour periods operating in either Comfort setting (21°C default heating and 22°C default cooling) or Night

set-back setting (19°C default heating and 24°C default cooling). Scroll to the preferred program number P1-P9 (FIG 9, A) using the **(+)** and **(-)** keys. The controls will then automatically go back to **AUTO** mode.

Comfort Periods			
P1	Morning, Evening & Weekend	Weekday	07:00 - 09:00 & 17:00 - 23:00
		Weekend	08:00 - 23:00
P2	Morning, Afternoon, Evening & Weekend	Weekday	07:00 - 09:00, 12:00 - 14:00 & 17:00 - 23:00
		Weekend	08:00 - 23:00
P3	Day & weekend	Weekday	06:00 - 23:00
		Weekend	08:00 - 24:00
P4	Evening & Weekend	Weekday	15:00 - 23:00
		Weekend	08:00 - 24:00
P5	Morning & Evening	Weekday	06:00 - 08:00 & 21:00 - 23:00
		Weekend	06:00 - 08:00 & 18:00 - 24:00
P6	Morning, Afternoon & Weekend	Weekday	06:00 - 08:00 & 14:00 - 21:00
		Weekend	07:00 - 21:00
P7	7h - 19h (Office)	Weekday	07:00 - 19:00
		Weekend	n/a
P8	8h - 19h Saturday	Weekday	08:00 - 19:00
		Weekend	09:00 - 18:00
P9	Weekend only	Weekday	13:00 - 24:00
		Weekend	00:00 - 24:00

## 5.0 Controls (continued...)

### User Program Menu

Select U1-U4 (FIG 9, B) using the (+) and (-) keys and press (OK) to enter a user defined program.

FIG 9, C shows what day the program is setting (with 1 representing Monday), while FIG 9, D indicates what hours are being programmed.

Pressing (+) will set the hour as a Comfort Mode temperature, while pressing (-) will set the hour as a Night Set-back temperature.

Use the (◀) or (▶) keys to move the flashing cursor position to the required hour and modify the program. When the display day is correct press (OK) to copy the program to the following day. Press OK on day "7" to finish and validate the program.

## 6.0 Troubleshooting

Problem	Possible Causes	Remedy
Display is not working	Electrical supply switched off	Switch on supply
	Fuse blown	Replace fuse
	Unit switched off	Switch unit on at LCD display*
Display showing ERROR	Disconnected sensor	Reconnect sensor*
Display showing FILT	Reminder to clean filter	Press (+) for 5 seconds*
Fan not working	Electrical supply switched off	Switch on supply
	Fuse blown	Replace fuse
	Unit switched off	Switch unit on at LCD display*
	Temperature set point reached	Fan will stop working when set point has been achieved. Increasing set point will reactivate the fan
	Water temperature too low (heating)/too high (cooling) Minimum 32°C - Heating (default) Maximum 15°C - Cooling (default)	Fan will activate when min/max water temperature is reached, and will stop when water temperatures drop/raise min/max values Possible to check using F1/F2/F3 settings on display*
	Impellor obstructed	Ensure impellor is free to spin
	Motor obstructed	Ensure motor is free to spin
Faulty motor	Contact customer services	
Poor heating performance	Water temperature too low (heating)/too high (cooling) Minimum 32°C - Heating Maximum 15°C - Cooling	Fan will activate when min/max water temperature is reached, and will stop when water temperatures drop/raise min/max values Possible to check using F1/F2/F3 settings on display*
	Lack of water flow	Contact your installer Possible incorrect pipe size, valves not fully open, system not balanced or needs venting or pump set too low
	Unit incorrectly sized against heat loss	Complete heat loss and re-specify correct unit

If the fan convector is still faulty after checking the above, call your installer.

\*Type FC/BC only (controls unit)

## Inhaltsverzeichnis

1.0	Informationen zur Sicherheit	08	5.0	Bedienung (Nur für die Modelle BC und FC)	10
2.0	Einbau	09	6.0	Problembehebung	13
3.0	Wasseranschluss	09	7.0	Anhänge	32
4.0	Elektrischer Anschluss	09			

### 1.0 Informationen zur Sicherheit

**iVECTOR DARF NICHT in Badezimmern eingebaut werden.**

**WARNUNG: Alle iVECTOR-Modelle müssen geerdet werden.**

**Den Lufteinlass und das Auslassgitter NICHT bedecken oder verstellen.**

Der iVECTOR kann von Kindern ab 8 Jahren und von Personen mit eingeschränkten körperlichen oder geistigen Fähigkeiten oder mangelnder Erfahrung und mangelndem Wissen verwendet werden, sofern diese entsprechend beaufsichtigt werden und die nötigen Anweisungen hinsichtlich der Verwendung vom iVECTOR in einer sicheren Art und Weise erhalten haben und die damit verbundenen Gefahren verstehen.

Kinder dürfen nicht mit dem iVECTOR spielen. Reinigung und Eigenwartung dürfen von Kindern nur durchgeführt werden, wenn diese älter als 8 Jahre sind und entsprechend beaufsichtigt werden.

Halten Sie den iVECTOR und die angeschlossenen Kabel außerhalb der Reichweite von Kindern, die jünger als 8 Jahre sind.

Kinder bis zu einem Alter von 3 Jahren müssen vom iVECTOR entfernt gehalten werden, sofern sie nicht durchgehend beaufsichtigt werden.

Kinder in einem Alter zwischen 3 und 8 Jahren dürfen den iVECTOR nur ein- und ausschalten, wenn sich dieses in seiner normalen Betriebsposition befindet bzw. dort eingebaut wurde und wenn sie entsprechend beaufsichtigt werden und Anweisungen hinsichtlich der Verwendung vom iVECTOR in einer sicheren Art und Weise erhalten haben und die damit verbundenen Gefahren verstehen.

Kinder in einem Alter zwischen 3 und 8 Jahren dürfen den iVECTOR weder anschließen noch reinigen, und sie dürfen auch keine Eigenwartung durchführen.

Dieser Gebläse-Konvektor muss von qualifizierten Technikern eingebaut werden.

Dieser Gebläse-Konvektor darf nicht unmittelbar unterhalb einer Steckdose eingebaut werden.

Diesen Gebläse-Konvektor nicht in Bereichen mit übermäßiger Staubentwicklung einbauen.



## 2.0 Einbau

Für den korrekten Einbau des iVECTOR ist es wesentlich, dass die Befestigung in einer für die beabsichtigte Verwendung und zur Vorbeugung gegen vorhersehbare falsche Verwendung geeigneten Art und Weise vorgenommen wird. Vor Abschluss des Einbaus muss eine Reihe von Aspekten berücksichtigt werden, einschließlich der eingesetzten Methode zur Befestigung an der Wand, die Art und der Zustand der Wand selbst und alle zusätzlichen potenziellen Kräfte oder Gewichte, die möglicherweise auf die Einheit wirken.

Bevor Sie mit dem Einbau fortfahren, öffnen Sie den Karton, nehmen Sie den Inhalt heraus, und prüfen Sie, ob alle in Abb. 1 gezeigten Teile vorhanden sind. Prüfen Sie auch den Inhalt auf verdeckte Lieferschäden.

- |                        |                |
|------------------------|----------------|
| 1. Gestell             | 5. Montagesatz |
| 2. Äußeres Gehäuse     | 6. Filter      |
| 3. Garantiekarte       | 7. Gitter*     |
| 4. Bedienungsanleitung | 8. Fernfühler† |

\*Nur für Typ FN/FC

†Nur 4-Rohr

Prüfen Sie den Ort, an dem das Produkt eingebaut werden soll. Die Wandoberfläche muss glatt sein, und die in Abb. 2 gezeigten Abstände müssen gewährleistet sein. Wenn der iVECTOR an einer Trockenbauwand o.ä. Bauweise befestigt wird, kann sich dies negativ auf den Schallpegel auswirken, insbesondere bei höheren Gebläsedrehzahlen. Wenn der iVECTOR für Kühlanwendungen eingesetzt werden soll, muss die Möglichkeit zur Entsorgung des Kondensats mit berücksichtigt werden.

Für die Modelle BC und BN (Bodenansaug-Modelle): Schritte a-f aus Abb. 5 einhalten; für die Modelle FC und FN (Frontansaug-Modelle): Schritte a-c und g-i einhalten, für die Montage an der Wand.

**Hinweis:** Bringen Sie das äußere Gehäuse erst an, nachdem der Wasseranschluss (Abschnitt 3) und der elektrische Anschluss (Abschnitt 4) hergestellt wurden.

Typ BN - Einlass am Boden/keine Steuerung  
 Typ BC - Einlass am Boden/integrierte Steuerung  
 Typ FN - Einlass an der Vorderseite/keine Steuerung  
 Typ FC - Einlass an der Vorderseite/integrierte Steuerung

## 3.0 Wasseranschluss

**Hinweis:** Prüfen Sie vor der Installation, dass die Rohre entsprechend Durchfluss- und Druckverlustanforderungen korrekt ausgelegt wurden.

- Die Rohre müssen entsprechend den benötigten Durchflussmengen und Druckverlusten ausgelegt werden.
- Anschluss am Wärmetauscher -  $\frac{3}{4}$ " IG
- Beim Anschließen der Zulauf- und Rücklaufleitungen am iVECTOR ist Vorsicht geboten, siehe dazu Abb. 3. In Abb. 4 sind verschiedene Leitungsführungsvarianten angegeben.
- Absperrventile gehören nicht zum Lieferumfang ein Einbau wird allerdings im Hinblick auf zukünftige Serviceanforderungen empfohlen.

- Wenn der iVECTOR für Kühlanwendungen mit gekühltem Wasser verwendet werden soll, müssen die Leitungen für die Zufuhr des gekühlten Wassers isoliert werden. Kondensat bildet sich am Wärmetauscher und fällt in den Kondensatsammler, siehe Abb. 6. Es müssen entsprechende Vorkehrungen für die Entsorgung des Kondensats in Übereinstimmung mit vor Ort geltenden Vorschriften getroffen werden.
- Füllen und entlüften Sie das System, öffnen Sie alle Ventile vollständig, und entlüften Sie vom Wärmetauscher aus, siehe Abb. 7. Prüfen Sie dann auf Undichtigkeiten.
- Heiz- und Kühlrohre unter dem iVECTOR müssen isoliert werden!

## 4.0 Elektrischer Anschluss

**WARNUNG:** Alle iVECTOR-Modelle müssen geerdet werden.

- Die elektrische Installation muss vor Ort und national geltenden Verkabelungsvorschriften entsprechen und muss von einem qualifizierten Techniker vorgenommen werden.
- Der iVECTOR wird mit werksseitig angebrachten Prüfkabeln geliefert. Entfernen und entsorgen Sie diese.
- Eine abgesicherte elektrische Abzweigung mit einer Sicherung mit max. 3 A und ein Schalter mit 3 mm Abstand an allen Anschlussklemmen muss an einer einfach zugänglichen Position neben der Einheit bereitgestellt werden.
- Das Elektrokabel muss durch die Unterseite der Einheit und unter Verwendung der beiliegenden Kabeltülle in den Steuerkasten auf der rechten Seite zugeführt werden. Das Versorgungskabel muss min. einen Querschnitt von 0,75mm<sup>2</sup> aufweisen.
- Stromführenden Leiter, Nullleiter und Erdung an den Anschlussklemmen am Verkabelungsblock anschließen.
- Die in Abb. 8 gezeigten Schritte a-c durchführen, um Zugang zum Steuerfeld zu erhalten. Die Schaltpläne des Produkts werden in Abb. 10 gezeigt.
- Bei Verwendung des Ventil-Sets (Ventil & Stellantrieb 24 V) kann zum Ankleben der Kabel vom Stellantrieb, die Anschlussklemme von der Stromversorgungsplatine heruntergenommen werden - siehe Abb. 8d. Das Kabel sollte dann gemäß ABB. 8e zum Stellantrieb geführt werden.
- Bei Verwendung des Fernfühlers für die Kühlung, ist der bestehende Sensor zu entfernen und mit dem Fernfühler zu ersetzen - siehe Abb. 8f-8g. Der Fernfühler sollte wie in Abb. 8h-8i verbaut werden.
- Einheiten mit Steuerung (Typ BC/FC) können zur Steuerung von Einheiten ohne Steuerung (Typ BN/FN) verwendet werden, indem ein Ausgang 0-10 V vom Typ BC/FC entsprechend den Schaltplänen 10c für Typ BN/FN übernommen wird. Die Verbindungskabel sollten eine Auslegung von min. 0,34 mm<sup>2</sup> und 60 °C haben.
- Ein externes Raumthermostat kann verwendet werden, um Einheiten ohne Steuerung (Typ BN/FN) zu steuern. Dieses Thermostat muss einen Ausgang von 0-10 V haben.
- Es können bis zu 5 Einheiten ohne Steuerung (Typ BN/FN) von einer Einheit mit Steuerung (Typ BC/FC) bzw. bis zu 6 Einheiten ohne Steuerung (Typ BN/FN) von einer externen Steuerung (von Drittanbietern) gesteuert werden. In Schaltplan 10a steht „B“ für das Ausgangssignal von der Steuerungseinheit, und in 10b steht „D“ für das Eingangssignal von der Steuerungseinheit zur Einheit ohne Steuerung. Dies ist auch das gleiche Eingangssignal für die externe Steuerung, das in 10b als „D“ gezeigt ist.
- Ein iVECTOR mit integrierter Steuerung (Modelle BC und FC) kann bis zu 5 weitere Ventile von den Modellen ohne Steuerung (Modelle BN und FN) regeln - siehe Abb. 10e.

Im Kühlfall ist ein externer Fühler (Fernfühler) erforderlich - siehe Abb. 8f-8i.

## 5.0 Bedienung

Die eingestellte Heiztemperatur kann die eingestellte Kühltemperatur nicht übersteigen. Wenn der Heiz-Sollwert über den Kühl-Sollwert steigt, nimmt der Kühl-Sollwert gleichzeitig mit dem Heiz-Sollwert zu. Wenn sich der Heiz-Sollwert weiter erhöht bis die Kühl-Nachtsabsenkungstemperatur erreicht ist, erhöht sich diese auch gleichzeitig mit dem Heiz-Sollwert.

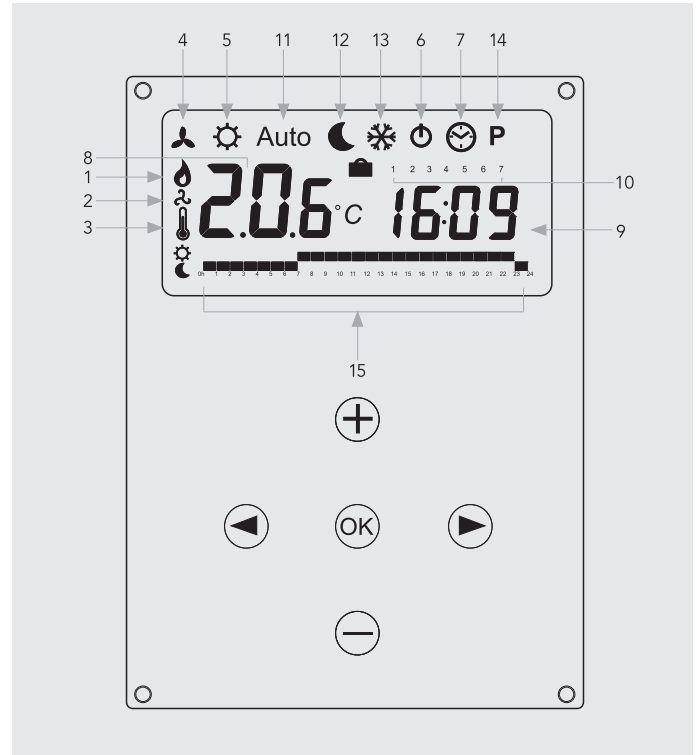
Die eingestellte Kühltemperatur kann die eingestellte Heiztemperatur nicht unterschreiten. Wenn der Kühl-Sollwert unter den Heiz-Sollwert sinkt, fällt der Heiz-Sollwert gleichzeitig mit dem Kühl-Sollwert ab, wenn der Kühl-Sollwert weiter sinkt, bis die Heiz-Nachtsabsenkungstemperatur erreicht ist sinkt auch diese mit dem Kühl-Sollwert ab.

### Display

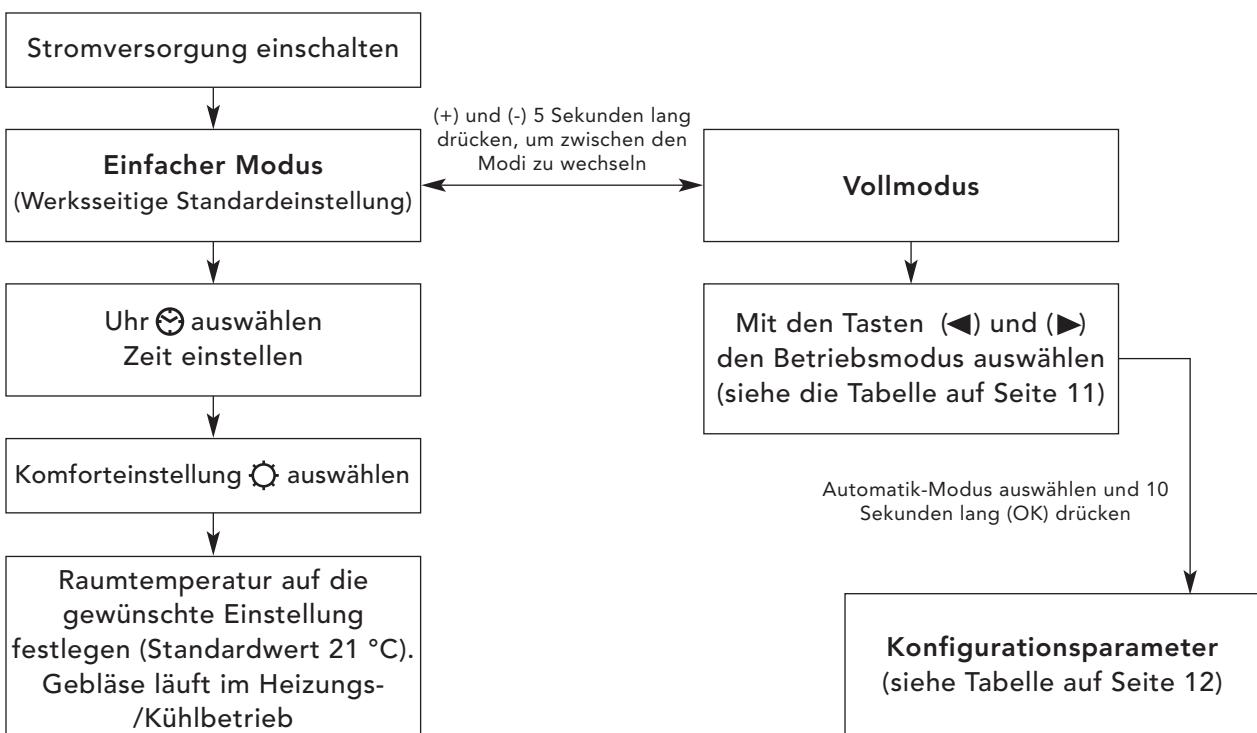
1. Heizanzeige
2. Kühlanzeige
3. Temperatursymbol - wenn dieses angezeigt wird, wird die aktuelle Raumtemperatur angezeigt
4. Gebläsedrehzahlsymbol (Gebläseflügel drehen sich, wenn aktiv)
5. Komforteinstellung
6. Ein/Aus
7. Uhreinstellung
8. Raumtemperatur
9. Uhrzeit
10. Wochentag
11. Automatik-Einstellung (für eingestelltes Programm) - nur Vollmodus
12. Nachtabsenkung - nur Vollmodus
13. Ferieneinstellung - nur Vollmodus
14. Programmennü - nur Vollmodus
15. Programmplanung - nur Vollmodus

### Tastenfeld:

- OK Bestätigungstaste (OK)
- + Plus-Taste (nach oben)
- Minus-Taste (nach unten)
- ◀ Navigation nach links
- ▶ Navigation nach rechts







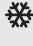




### Betrieb der Einheit



## 5.0 Bedienung (Fortsetzung...)

### Betriebsmodi

Mit den Tasten (◀) und (▶) aus den folgenden Parametern auswählen. Eine Funktion ist ausgewählt, wenn das Symbol von einem □ umgeben ist.

Funktion	Beschreibung	Einstellung	Verfügbarkeit	
			Einfach	Voll
	<b>Steuerungskonfiguration</b> Die Einheit muss für den Betrieb als Heizen, Kühlen, oder eine Kombination aus Heizen und Kühlen programmiert werden.	<b>Steuerungskonfiguration</b> Zum Modus mit festem Gebläse  , blättern und dann die Taste (◀) drücken. Mit den Tasten (+) und (-) aus den folgenden Werten auswählen: <b>Nod (Mode) HOt</b> für Heizen. <b>Nod (Mode) COld</b> für Kühlen. <b>Nod (Mode) AUtO</b> für Heizen und Kühlen. Zur Bestätigung (OK) drücken.	Nein	Ja
	<b>Einstellung mit festem Gebläse</b> F1, F2, F3 ergibt die Gebläsedrehzahl 1, 2 bzw. 3 – jeweils ohne Temperatursteuerung.	Mit den Tasten (+) oder (-) auswählen und zur Bestätigung (OK) drücken. (Beachten Sie, dass das Gebläsedrehzahlsymbol nur angezeigt wird, wenn das Gebläse tatsächlich läuft.)	Ja	Ja
	<b>Komfort-Einstellung</b> Ermöglicht die Raumtemperatursteuerung mit automatischer Ventilatorgeschwindigkeitsanpassung entsprechend dem Unterschied zwischen tatsächlicher Raumtemperatur und dem eingestellten Sollwert. Der Ventilator schaltet sich automatisch ein, wenn die Wassertemperatur am Fühler $\geq 32^{\circ}\text{C}$ (für Heizen) oder $\leq 15^{\circ}\text{C}$ (für Kühlen) ist. Diese Temperaturen können jedoch in der Parameterebene verstellt werden.	Drücken Sie auf (OK), um den Sollwert anzuzeigen. Mit (+) und (-) können Sie die Raumtemperatur verändern. Grundeinstellung ist $21^{\circ}\text{C}$ (für Heizen) und $22^{\circ}\text{C}$ (für Kühlen).	Ja	Ja
Auto	<b>Automatik-Einstellung</b> Die Einheit läuft entsprechend einem der 9 voreingestellten zeitbasierten Programme oder entsprechend einem der 4 benutzerdefinierten Programme.	In Seite 12 finden Sie Informationen zu Programmoptionen und zur Konfiguration. (OK) drücken, um die aktuell eingestellte Temperatur anzuzeigen (Komfort oder Nacht).	Nein	Ja
	<b>Nachteinstellung</b> Ermöglicht eine Steuerung der Raumtemperatur mit automatischer Gebläsedrehzahleinstellung basierend auf der Differenz zwischen aktueller und Nachttemperatur.	Drücken Sie auf (OK), um die eingestellte Nachtabsenkungstemperatur anzuzeigen. Mit (+) und (-) können Sie diesen Sollwert verändern. Grundeinstellung ist $19^{\circ}\text{C}$ (für Heizen) und $24^{\circ}\text{C}$ (für Kühlen).	Nein	Ja
	<b>Ferienfunktion</b> Bietet Frostschutz oder Überhitzungsschutz bei Abwesenheit (Ferien/Urlaub). Die Steuerung zählt bis „00“ herunter. Danach wird die Steuerung in der Automatik-Einstellung wieder aufgenommen. Für den Frostschutz ist die Einstelltemperatur $7^{\circ}\text{C}$ . Für Überhitzung ist die Einstelltemperatur $30^{\circ}\text{C}$ .	 auswählen; daraufhin wird  angezeigt. Mit den Tasten (+) und (-) die Dauer einstellen. (In Stunden „H“, wenn weniger als 24 h; und dann in Tagen „d“.) Mit der Taste (-) kann diese Periode unterbrochen und die Dauer auf „no“ (nein) gesetzt werden.	Nein	Ja
	<b>Ein/Aus</b> Schaltet die Einheit ein/aus.	(OK) drücken, um die Einheit ein- oder auszuschalten.	Ja	Ja
	<b>Uhreinstellungsmenü</b> Zum Anzeigen der Uhrzeit im 12-h- oder 24-h-Format.	(OK) drücken Mit den Tasten (+) und (-) die Minuten einstellen. (OK) drücken Mit den Tasten (+) und (-) die Stunden einstellen. (OK) drücken Mit den Tasten (+) und (-) die Tage einstellen. (OK) drücken.	Ja	Ja
P	<b>Programmmenü</b> Bietet die Möglichkeit zur Auswahl von 9 vorprogrammierten und 4 benutzerdefinierten zeitbasierten Programmen.	Siehe Seite 12, „Programmmodus“.	Nein	Ja

## 5.0 Bedienung (Fortsetzung...)

### Konfigurationsparameter

Um in das Installationsparametermenü zu gelangen, gehen sie mit den Pfeiltasten zu **AUTO** (nur im Vollmodus) und drücken Sie danach 10 Sekunden auf **(OK)**. Mit den Tasten (**◀**) und (**▶**) die einzustellenden Parameter hervorheben. **(OK)** drücken, um die Parametereinstellung umzuschalten; wenn der Wert zu blinken

beginnt, mit den Tasten **(+)** und **(-)** den Wert einstellen. Danach zur Bestätigung **(OK)** drücken. Nachdem die Parameter eingestellt sind, zum Parameter **<End>** (Ende) gehen, und **(OK)** drücken, um zum Hauptmenü zurückzukehren.

Parametername	Beschreibung	Standardeinstellung	Alternative Einstellung
<b>dEG</b>	Zum Auswählen der Temperaturskala.	°C	°F
<b>00:00</b>	Zum Auswählen des Stundenformats.	12H	24H
<b>Air (Air)</b>	Kalibrierung des internen Luftsensors anhand der aktuellen Raumtemperatur. (Die Kalibrierung muss nach 12 Stunden Arbeiten bei der gleichen Einstelltemperatur durchgeführt werden.)	Zum Einstellen der Luftsensortemperatur die gemessene Temperatur über die Tasten (-) oder (+) eingeben. Zum Bestätigen der Kalibrierung (OK) drücken. Die Tasten (+) und (-) gleichzeitig drücken, um den Versatzwert zurückzusetzen.	
<b>CSP</b>	Einstellpunkt für Kühlen.	Die Standard- Wasserschalttemperatur zum Kühlen ist 15°C.	
<b>HSP</b>	Einstellpunkt für Heizen.	Diese kann durch drücken der Tasten (+) oder (-) geändert werden, drücken Sie dann (OK) zum bestätigen.	
<b>Nb vAL (nur 2-Rohr Modelle)</b>	Auswahl der Anzahl anzusteuender Ventile. Dieser Parameter hängt von der Systemauslegung ab.	0 Ventile	1 Ventil
<b>FAS SPEE</b>	Ermöglicht das Ausschalten der maximalen Gebläsedrehzahl - die Einheit läuft nur mit niedriger und mittlerer Drehzahl.	FA5 Schnell (engl. „Fast“)	NEd Mittel (engl. „Medium“)
<b>NIGt</b>	Zum Auswählen einer Option für Gebläsedrehzahlen, wenn die Einheit im Kühlbetrieb auf Nachtmodus rückgesetzt wird.	NOr Für „Normale Regelung“	AL1 (Nur Gebläsedrehzahl 1)
<b>CLr ALL</b>	Setzt die Steuerung auf Werkseinstellungen zurück.	5 Sekunden lang (OK) drücken.	
<b>End</b>	Zum Verlassen des Installationsmenüs.	(OK) drücken	

### Programmmodus

#### Auswahl der integrierten Programme

Es sind 9 (P1-P9) fest definierte Zeitprogramme und 4 einstellbare Zeitprogramme (U1-U4) verfügbar. Jeder Tag ist in 24 h eingeteilt, programmierbar auf Komfort-Einstellung (Grundeinstellung Heizen 21°C und Kühlen 22°C) oder Nachtabsenkung (Grundeinstellung Heizen 19°C und Kühlen

24°C). Zum auswählen eines Programm scrollen Sie mit (+) und (-) bis zum gewünschten, P1-P9 (Abb. 9, A) oder U1-U4. Die Steuerung schaltet danach automatisch auf den **AUTO**-Modus (Betriebsmodus) zurück.

#### Beschreibung der integrierten Programme

Programmnr.	Beschreibung	Wochentag	Zeitraum
P1	Morgens, abends und Wochenende	Wochentag	07:00 - 09:00 & 17:00 - 23:00
		Wochenende	08:00 - 23:00
P2	Morgens, nachmittags, abends und Wochenende	Wochentag	07:00 - 09:00, 12:00 - 14:00 & 17:00 - 23:00
		Wochenende	08:00 - 23:00
P3	Tagsüber und Wochenende	Wochentag	06:00 - 23:00
		Wochenende	08:00 - 24:00
P4	Abends und Wochenende	Wochentag	15:00 - 23:00
		Wochenende	08:00 - 24:00
P5	Morgens, abends	Wochentag	06:00 - 08:00 & 21:00 - 23:00
		Wochenende	06:00 - 08:00 & 18:00 - 24:00
P6	Morgens, nachmittags und Wochenende	Wochentag	06:00 - 08:00 & 14:00 - 21:00
		Wochenende	07:00 - 21:00
P7	7:00 h - 19:00 h (Bürozeit)	Wochentag	07:00 - 19:00
		Wochenende	n/a
P8	8:00 h - 19:00 h, Samstag	Wochentag	08:00 - 19:00
		Wochenende	09:00 - 18:00
P9	Nur Wochenende	Wochentag	13:00 - 24:00
		Wochenende	00:00 - 24:00

**5.0 Bedienung (Fortsetzung...)**

**Benutzerprogrammenü**

Mit den Tasten (+) und (-) Programm U1-U4 (Abb. 9, B) wählen und (OK) drücken, um ein benutzerdefiniertes Programm zu starten.

Abb. 9, C, zeigt, welcher Tag im Programm eingestellt wird (1 steht dabei für Montag), während Abb. 9, D, zeigt, welche Stunde gerade eingestellt wird.

Durch Drücken der Taste (+) wird die Temperatur auf die

Komfoteinstellung gesetzt, durch Drücken der Taste (-) wird sie auf die Nachtabsenkung gesetzt.

Mit den Tasten (◀) oder (▶) die blinkende Cursorposition auf die gewünschte Stunde bewegen und das Programm modifizieren. Wenn der angezeigte Tag korrekt ist, (OK) drücken, um das Programm auf den Folgetag zu kopieren. In Tag „7“ auf OK drücken, um das Programm abzuschließen und zu bestätigen.

**6.0 Problembehebung**

Problem	Mögliche Ursachen	Abhilfemaßnahme
Anzeige funktioniert nicht	Stromversorgung ist ausgeschaltet	Stromversorgung einschalten
	Sicherung durchgebrannt	Sicherung wechseln
	Einheit ausgeschaltet	Einheit an der LCD-Anzeige einschalten*
Auf der Anzeige wird ERROR (Fehler) angezeigt*	Sensor getrennt	Sensor wieder anschließen*
Auf der Anzeige wird FILT (Filter) angezeigt*	Erinnerung zum Reinigen des Filters	5 Sekunden lang (+) drücken*
Gebläse funktioniert nicht	Stromversorgung ist ausgeschaltet	Stromversorgung einschalten
	Sicherung durchgebrannt	Sicherung wechseln
	Einheit ausgeschaltet	Einheit an der LCD-Anzeige einschalten*
	Temperatureinstellung erreicht	Das Gebläse hört auf zu laufen, wenn der Einstellpunkt erreicht ist. Durch Erhöhen des Einstellpunkts kann das Gebläse wieder reaktiviert werden
	Wassertemperatur ist zu niedrig (Heizen)/zu hoch (Kühlen) Mindestwert 32°C - Heizen (Werkseinstellung) / Maximum 15°C - Kühlen (Werkseinstellung)	Das Gebläse wird aktiviert, wenn die minimale/maximale Wassertemperatur erreicht ist, und es stoppt, wenn die min./max. Wassertemperaturwerte fallen/ansteigen. Prüfung mit den Einstellungen F1/F2/F3 auf der Anzeige möglich*
	Laufgrad behindert	Sicherstellen, dass sich das Laufgrad frei drehen kann
	Motor behindert	Sicherstellen, dass sich der Motor frei drehen kann
Defekter Motor	Kontakt mit dem Kundendienst aufnehmen	
Schlechte Heizleistung	Wassertemperatur zu niedrig (Heizen)/zu hoch (Kühlen) Minimum 32 °C – Heizen Maximum 15 °C – Kühlen	Das Gebläse wird aktiviert, wenn die minimale/maximale Wassertemperatur erreicht ist, und es stoppt, wenn die min./max. Wassertemperaturwerte fallen/ansteigen. Prüfung mit den Einstellungen F1/F2/F3 auf der Anzeige möglich*
	Keine Wasserzufuhr	Kontakt mit dem Installateur aufnehmen Möglicherweise falsche Leitungsgröße, Ventile nicht vollständig geöffnet, System nicht ausgeglichen oder Entlüftung erforderlich oder Pumpe zu niedrig eingestellt
	Einheit gegen Wärmeverlust falsch dimensioniert	Wärmeverlust beobachten und die korrekte Einheit neu spezifizieren

Wenn der Gebläse-Konvektor nach Prüfen der genannten Punkte immer noch defekt ist, Kontakt mit dem Installateur aufnehmen.

\*Nur für Typ FC/BC (Einheiten mit Steuerung)

## Sommaire

1.0	Consignes de sécurité	14	5.0	Commandes (Seulement valable pour type BC et FC)	16
2.0	Installation	15	6.0	Recherche de panne	19
3.0	Raccordement au circuit d'eau	15	7.0	Annexes	32
4.0	Raccordements électriques	15			

## 1.0 Informations de sécurité

**iVECTOR NE DOIT PAS être installé dans une salle de bains.**

**AVERTISSEMENT : Tous les modèles iVECTOR doivent être mis à la terre.**

**NE PAS couvrir ou obstruer l'entrée d'air ou la grille de sortie.**

Cet appareil peut être utilisé par des enfants à partir de 8 ans et par toute personne à capacités physiques ou mentales réduites ou manquant d'expérience et de connaissances si elles sont surveillées ou ont reçu des consignes sur l'utilisation sans danger de l'appareil et comprennent les risques encourus.

Ne pas laisser les enfants jouer avec l'appareil. Le nettoyage et la maintenance utilisateur ne doivent pas être effectués par des enfants sauf s'ils ont plus de 8 ans et sont surveillés.

Veillez tenir l'appareil et son cordon hors de portée des enfants de moins de 8 ans.

Les enfants de moins de 3 ans doivent être tenus à l'écart de l'appareil sauf s'ils sont constamment surveillés.

Les enfants de plus de 3 ans et de moins de 8 ans peuvent seulement allumer/éteindre l'appareil sous réserve qu'il ait été placé ou installé dans sa position normale de marche et qu'ils soient surveillés ou aient été informés de l'usage sans danger de l'appareil et comprennent les risques encourus.

Les enfants de plus de 3 ans et de moins de 8 ans ne doivent pas brancher, nettoyer l'appareil ou effectuer la maintenance utilisateur.

Ce ventilo-convecteur doit être installé par des techniciens qualifiés.

Ce Ventilo-convecteur ne doit pas être installé immédiatement au dessous d'une prise.

Ne pas installer ce ventilo-convecteur dans des endroits très poussiéreux.

## 2.0 Installation

Pour une installation adéquate de cet appareil, il est primordial de réaliser la fixation afin que le produit puisse remplir ses fonctions et ainsi éviter toute mauvaise utilisation. Avant de finaliser l'installation du produit, il convient de prendre en compte les éléments suivants, à savoir la méthode de fixation du produit au mur, le type et l'état du mur lui-même, ainsi que les forces et poids additionnels potentiellement appliqués sur le matériel.

Avant de réaliser l'installation, retirer l'emballage, déballer le contenu et vérifier les articles décrits en FIG 1. Vérifier également que le matériel n'a pas subi de dommage lié au transport.

- |                          |                    |
|--------------------------|--------------------|
| 1. Châssis               | 5. Kit de fixation |
| 2. Structure externe     | 6. Filtre          |
| 3. Carte de garantie     | 7. Grille*         |
| 4. Manuel d'instructions | 8. Sonde externe†  |

\*Type FN/FC uniquement

†uniquement version 4 tubes

Vérifier l'emplacement où le produit doit être installé. La surface du mur doit être plane et les dimensions indiquées en FIG 2 doivent être respectées. Si le iVECTOR est installé sur un mur avec des cloisons à ossature, cela peut avoir un impact défavorable sur le niveau sonore, en particulier à des vitesses élevées de ventilation. Si le iVECTOR doit être utilisé avec des applications de refroidissement, le besoin de traitement des condensats doit être pris en compte.

Pour les types BC et BN suivez la procédure a-f de la FIG. 5 et pour les types FC et FN suivez la procédure a-c et puis de g-i pour la fixation murale.

**Remarque :** Ne pas mettre en place la structure externe avant la réalisation des raccordements du circuit d'eau (paragraphe 3) et du circuit électrique (paragraphe 4).

Type BN - Entrée basse/sans système de commande  
 Type BC - Entrée basse/avec commandes intégrées  
 Type FN - Entrée en façade/sans système de commande  
 Type FC - Entrée en façade/avec commandes intégrées

## 3.0 Raccordement au circuit d'eau

**Note:** La section des tubes d'alimentation doit être sélectionnée en accord avec le débit et la perte de charge nécessaire.

- La section des tubes d'alimentation doit être sélectionnée en accord avec le débit et la perte de charge nécessaire.
- Connexion de l'échangeur  $3/4$ "G.
- Prendre toutes les précautions nécessaires lors du raccordement des tubes d'entrée et sortie vers le iVECTOR, voir FIG 3 pour plus d'informations. Toutes les options de raccordement sont décrites en FIG 4.
- Les vannes d'isolement ne sont pas fournies avec l'appareil. Il est recommandé de disposer de pièces de rechange en cas de besoin de maintenance ultérieure.

- Si le iVECTOR doit être utilisé avec des applications de refroidissement à eau réfrigérée, les parois du circuit de tuyauterie dans lequel l'eau réfrigérée circule doivent être isolées. De la condensation se forme au niveau du serpentin. Les condensats sont récupérés dans le bac collecteur, voir FIG 6. Il convient de respecter la législation en vigueur en ce qui concerne le traitement des condensats.
- Remplir et ventiler le système. Complètement ouvrir les vannes et ventiler l'appareil à partir de l'échangeur de chaleur, voir FIG 7. Vérifier l'absence de fuites.
- Les tubes en dessous du iVECTOR doivent être isolés.

## 4.0 Raccordements électriques

**AVERTISSEMENT :** Tous les modèles iVECTOR doivent être mis à la terre.

- **L'installation électrique doit respecter les réglementations locales ou nationales de raccordement et doit être effectuée par un technicien qualifié.**
- Cet appareil est fourni avec des fils d'essai standard. Les enlever et les mettre au rebut.
- Un socle électrique à fusible avec un fusible de 3A maximum et un interrupteur ayant une séparation de 3 mm sur tous les pôles doivent être fournis dans une position facilement accessible adjacente à l'appareil.
- L'entrée du câble électrique dans l'appareil doit passer par le dessous de l'appareil dans le boîtier de contrôle du côté droit en utilisant le presse-étoupe fourni. Le cordon d'alimentation doit avoir une section de 0,75 mm<sup>2</sup> seulement.
- Raccorder la phase, le neutre et la terre aux bornes de câblage.
- Suivre les étapes a-c illustrées à la FIG 8 pour accéder au panneau de commandes. Les schémas de câblage produit sont illustrés à la FIG 10.
- Afin de faciliter la connection électrique des moteurs thermiques il suffit de déconnecter le soulier de câblage voir FIG. 8d. Le câblage doit suivre le trajet de la FIG. 8e.
- Pour le rafraîchissement il faut utiliser une sonde externe, celle-ci remplace la sonde existante. Voir FIG. 8f et 8g pour le remplacement.
- Les appareils avec système de commande (type BC/FC peuvent être utilisés pour contrôler les appareils sans système de commande (type BN/FN) en utilisant la sortie 0-10 V du produit de type BC/FC pour celui de type BN/FN selon les schémas de raccordement 10c. Les câbles de raccordement doivent être de 22AWG et être dimensionnés pour un fonctionnement à 60 °C.
- Un thermostat de température ambiante externe peut être utilisé pour contrôler les appareils sans système de commande (type BN/FN). Le thermostat doit disposer d'une sortie 0-10 V.
- Il est possible de contrôler jusqu'à 5 appareils sans système de commande (type BN/FN) à partir d'un appareil avec commandes (type BC/FC) et jusqu'à 6 appareils sans système de commande (type BN/FN) à partir d'un contrôleur externe (fourniture par un autre fabricant). Voir schéma de raccordement 10a "B" pour le signal de sortie à partir du panneau de contrôle et 10b "D" pour le signal d'entrée à partir du panneau de contrôle vers l'appareil sans système de commande. Le même signal d'entrée est utilisé pour le contrôleur externe, comme indiqué sur le schéma 10b "D".
- Plusieurs vannes max.6 peuvent être contrôlées, voir FIG 10e.

Pour toutes applications de rafraîchissement il faut utiliser une sonde externe voir FIG. 8f - 8i

## 5.0 Commandes

Note: Quand la demande en chaud dépasse la consigne en froid, cette dernière augmentera de la même façon. En plus, quand la demande en chaud est augmentée jusqu'à la température set-back du froid, cette température changera avec la demande en chaud de façon linéaire.

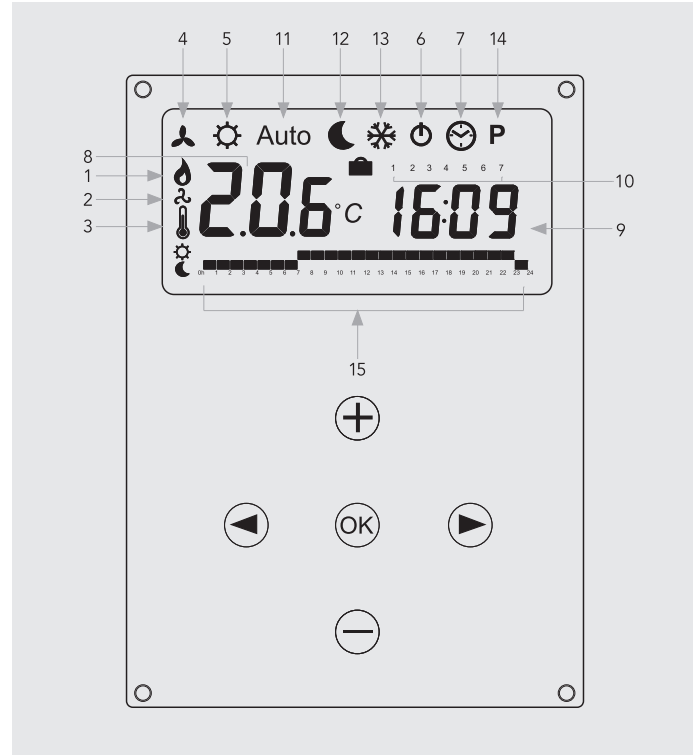
Similaire, quand la demande en froid diminue sous la demande en chaud, la consigne en chaud diminue de la même façon. Et quand le consigne en froid diminue jusqu'à la température set-back en chaud, la température set-back en chaud augmentera avec le consigne en froid.

### Écran

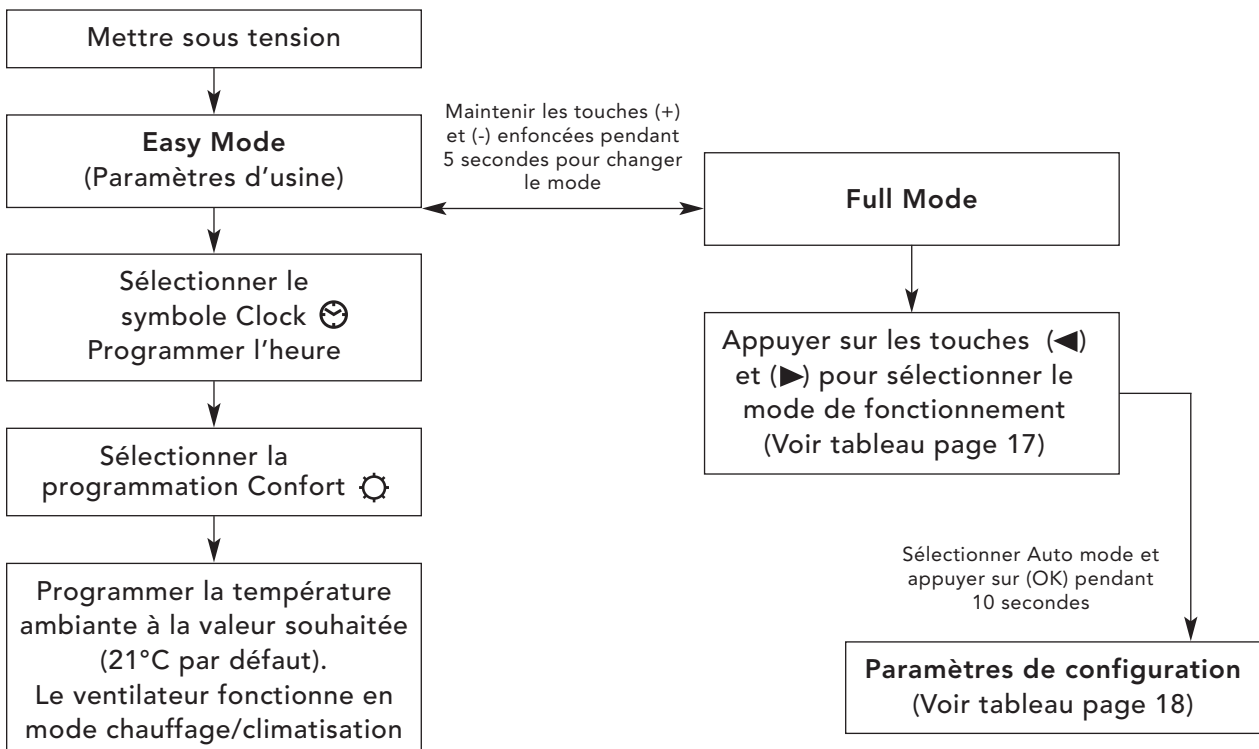
1. Indicateur pour le mode chauffage
2. Indicateur pour le mode climatisation
3. Symbole température - si affiché, la température ambiante est indiquée
4. Symbole de vitesse de ventilation (rotation des ailettes du ventilateur si activé)
5. Programmation Confort
6. Alimentation/Power (on/off)
7. Réglage dates et heures (Clock)
8. Température ambiante
9. Heure
10. Jour de la semaine
11. Programmation Auto (pour utiliser le programme configuré) - Full mode uniquement
12. Programmation Nuit (Night set-back) - Full mode uniquement
13. Programmation absence prolongée - Full mode uniquement
14. Menu programmation - Full mode uniquement
15. Séquence des programmations définies - Full mode uniquement

### Touches :

- OK Touche de validation (OK)
- + Touche Plus (haut)
- Touche Moins (bas)
- ◀ Navigation vers la gauche
- ▶ Navigation vers la droite



### Fonctionnement de l'appareil














## 5.0 Commandes (suite...)

### Modes de fonctionnement

Appuyer sur les touches (◀) et (▶) pour sélectionner les paramètres suivants. La fonction est sélectionnée lorsque l'icône est encadrée par □.

Fonction	Description	Action	Mode disponible	
			Easy	Full
	<b>Configuration du mode de fonctionnement</b> L'appareil doit être programmé pour un fonctionnement en mode chauffage uniquement, en mode climatisation uniquement, ou en mode chauffage et climatisation.	<b>Configuration du mode de fonctionnement</b> Accéder au mode ventilation fixe  , et appuyer sur la touche (◀). Appuyer sur les touches (+) et (-) pour sélectionner les paramètres suivants : <b>Nod (Mode) HOt</b> pour le chauffage. <b>Nod (Mode) COld</b> pour la climatisation. <b>Nod (Mode) AUtO</b> pour le chauffage et la climatisation. Appuyer sur (OK) pour confirmer.	Non	Oui
	<b>Configuration de la ventilation fixe</b> F1, F2, F3 permettent de respectivement utiliser les vitesses de ventilation 1, 2 ou 3, sans régulation de la température.	Utiliser les touches (+) et (-) pour réaliser la sélection et appuyer sur (OK) pour confirmer. (Remarque : le symbole représentant la vitesse de ventilation s'affiche uniquement si le ventilateur fonctionne).	Oui	Oui
	<b>Programmation Confort</b> Contrôle automatique de la vitesse du ventilateur en accord avec la différence de la température ambiante et point de consigne. Le ventilateur fonctionne en chaud si la température est supérieure à 32°C en chaud et inférieure à 15°C en mode froid.	Poussez la touche (OK) afin de visualiser le point de consigne. Utiliser la touche (+) ou (-) afin de modifier la consigne. Les valeurs par défaut sont 21°C en mode chaud et 22°C en mode froid.	Oui	Oui
Auto	<b>Programmation automatique</b> L'appareil fonctionne selon l'un des 9 programmes horaires préconfigurés, ou l'un des 4 programmes personnalisables par l'utilisateur.	Voir page 18 pour les options de programmation et leur configuration. Appuyer sur (OK) pour visualiser la température actuelle configurée (Confort ou Nuit).	Non	Oui
	<b>Programmation Nuit (Night Set-back)</b> Permet la régulation de la température ambiante grâce à l'ajustement automatique de la vitesse de ventilation en fonction de la différence entre la température actuelle et celle en mode Nuit.	Poussez la touche (OK) afin de visualiser le point de consigne. Utiliser la touche (+) ou (-) afin de modifier la consigne. Les valeurs par défaut sont 19°C en mode chaud et 24°C en mode froid.	Non	Oui
	<b>Fonction absences prolongées (Holiday)</b> Permet la mise hors gel ou la protection anti-surchauffe durant les périodes d'absence prolongées (vacances). La commande démarre un décompte jusqu'à "00". A la fin du décompte, la commande revient en configuration Auto. Pour la mise hors gel, la température configurée est de 7°C. Pour la protection anti-surchauffe, la température est de 30°C.	Sélectionner le  et le  s'affiche. Appuyer sur les touches (+) et (-) pour régler la durée. (en heures "H" si moins de 24H et ensuite en jours "d"). Utiliser la touche (-) pour interrompre le mode programmé et configurer la durée à "no".	Non	Oui
	<b>Alimentation (on/off)</b> Permet le démarrage et l'arrêt de l'appareil.	Appuyer sur (OK) pour démarrer ou arrêter l'appareil.	Oui	Oui
	<b>Configuration de la date et de l'heure (Clock)</b> Affiche l'heure sous le format 12h ou 24h.	Appuyer sur (OK) Appuyer sur les touches (+) et (-) pour régler les minutes. Appuyer sur (OK) Appuyer sur les touches (+) et (-) pour régler les heures. Appuyer sur (OK) Appuyer sur les touches (+) et (-) pour régler les jours. Appuyer sur (OK).	Oui	Oui
P	<b>Menu programmation</b> Permet de sélectionner parmi les 9 programmes préconfigurés et les 4 programmes horaires personnalisables par l'utilisateur.	Voir page 18, mode de programmation.	Non	Oui

## 5.0 Commandes (suite...)

### Paramètres de configuration de l'installateur

Pour accéder au menu des paramètres d'installation, atteindre le menu **AUTO** (en Full Mode) et appuyer sur **(OK)** pendant 10 secondes. Appuyer sur les touches **(◀)** et **(▶)** pour sélectionner le paramètre à configurer. Appuyer sur **(OK)** pour valider la sélection du paramètre. Lorsque la valeur clignote, appuyer sur

les touches **(+)** et **(-)** pour régler la valeur. Ensuite, appuyer sur **(OK)** pour confirmer. Après configuration des paramètres, atteindre le paramètre **<End>** et appuyer sur **(OK)** pour revenir au menu principal.

Nom du paramètre	Description	Configuration par défaut.	Configuration alternative
<b>dEG</b>	Sélectionne l'unité de mesure de la température.	°C	°F
<b>00:00</b>	Sélectionne le format de l'heure.	12H	24H
<b>Air (Air)</b>	Calibrage de la sonde de température interne en fonction de la température ambiante. (Le calibrage doit être réalisé après 12 heures de fonctionnement à la même température).	Pour régler la température de la sonde, saisir la température à mesurer avec les touches (-) et (+). Pour confirmer le réglage, appuyer sur (OK) Appuyer simultanément sur les touches (+) et (-) pour réinitialiser la valeur définie.	
<b>CSP</b>	Consigne de climatisation.	The default water switching temperature for cooling is 15°C, this can be altered by pressing (+) or (-) keys then pressing (ok) to confirm.	
<b>HSP</b>	Consigne de chauffage.	La température de commutation de l'eau par défaut pour le chauffage est 32°C, cela peut être modifié en appuyant sur (+) ou (-) puis en appuyant sur les touches (OK) pour confirmer.	
<b>Nb vAL (modèles 2 tubes uniquement)</b>	Sélectionner le nombre de vannes à contrôler. Ce paramètre dépend de la conception du système.	0 vanne	1 vanne
<b>FAS SPEE</b>	Permet de désactiver la vitesse maximum du ventilateur - l'appareil fonctionnera uniquement à vitesses minimum et moyenne.	FA5 Pour rapide (Fast)	NEd Pour moyenne (Medium)
<b>NIGt</b>	Sélectionner l'option de vitesse de la ventilation quand l'appareil passe en mode Nuit lors du fonctionnement en climatisation.	NOr (Régulation normale)	AL1 (Vitesse de ventilation 1 uniquement)
<b>CLr ALL</b>	Réinitialise la régulation à la configuration usine.	Maintenir la touche (OK) enfoncée pendant 5 secondes	
<b>End</b>	Quitter le menu installation.	Appuyer sur (OK)	

### Mode programmation

#### Sélection des programmes préconfigurés

Vous pouvez choisir entre 9 programmes horaires prédéfinis (P1-P9) ou 4 programmations à définir par vous. Chaque jour est

divisé en 24 segments d'une heure pour définir les horaires en mode confort et réduit. Les consignes utilisées sont celles définies en mode confort et réduit.

Beschreibung der integrierten Programme			
P1	Matin, Soir & Weekend	jour de la semaine	07:00 - 09:00 & 17:00 - 23:00
		fin de semaine	08:00 - 23:00
P2	Matin, Après-midi, Soir & Weekend	jour de la semaine	07:00 - 09:00, 12:00 - 14:00 & 17:00 - 23:00
		fin de semaine	08:00 - 23:00
P3	Journée & Weekend	jour de la semaine	06:00 - 23:00
		fin de semaine	08:00 - 24:00
P4	Soir & Weekend	jour de la semaine	15:00 - 23:00
		fin de semaine	08:00 - 24:00
P5	Matin, Soir	jour de la semaine	06:00 - 08:00 & 21:00 - 23:00
		fin de semaine	06:00 - 08:00 & 18:00 - 24:00
P6	Matin, Après-midi & Weekend	jour de la semaine	06:00 - 08:00 & 14:00 - 21:00
		fin de semaine	07:00 - 21:00
P7	7h-19h (Bureau)	jour de la semaine	07:00 - 19:00
		fin de semaine	n/a
P8	8h-19h, Samedi	jour de la semaine	08:00 - 19:00
		fin de semaine	09:00 - 18:00
P9	Weekend uniquement	jour de la semaine	13:00 - 24:00
		fin de semaine	00:00 - 24:00

## 5.0 Commandes (suite...)

### Menu programmation utilisateur

Sélectionner U1-U4 (FIG 9, B) avec les touches (+) et (-) et appuyer sur (OK) pour personnaliser un programme.

La FIG 9, C indique le jour programmé (1 représente le Lundi). La FIG 9, D correspond à la programmation des horaires.

Une pression sur la touche (+) permet de configurer l'heure avec la température en mode Confort, alors qu'une pression sur la

touche (-) permet de configurer l'heure avec la température en mode Nuit.

Utiliser les touches (◀) ou (▶) pour déplacer le curseur sur l'heure souhaitée (clignotement) et modifier le programme. Lorsque le jour affiché est correct, appuyer sur (OK) pour copier le programme sur le jour suivant. Appuyer sur OK sur le jour "7" pour finaliser et valider le programme.

## 6.0 Recherche de panne

Problème	Causes possibles	Solution
Afficheur éteint	L'appareil est hors tension	Mettre l'appareil sous tension
	Fusible grillé	Remplacer le fusible
	Appareil à l'arrêt	Démarrer l'appareil à partir de l'afficheur LCD*
Message ERROR* affiché	Sonde déconnectée	Rebrancher la sonde*
Message FILT* affiché	Rappel pour le nettoyage du filtre	Maintenir la touche (+) enfoncée pendant 5 secondes*
Ventilateur hors service	L'appareil est hors tension	Mettre l'appareil sous tension
	Fusible grillé	Remplacer le fusible
	Appareil à l'arrêt	Démarrer l'appareil à partir de l'afficheur LCD*
	Valeur de température définie atteinte	Le système de ventilation s'arrête de fonctionner lorsque la valeur définie est atteinte. Le système de ventilation redémarre si la valeur définie est augmentée.
	Température de limite moyenne de fonctionnement, 32°C en chaud et 15°C en froid	Le ventilateur démarre lorsque la température min/max de l'eau est atteinte. Il s'arrête lorsque les températures de l'eau diminuent/augmentent les valeurs min/max. Peut être vérifié avec les configurations F1/F2/F3 sur l'afficheur*
	Rotor bloqué	Veiller à ce que le rotor puisse tourner librement
	Moteur obstrué	Veiller à ce que le moteur puisse tourner librement
Moteur défectueux	Contactez le Service Client	
Mauvais fonctionnement du système de chauffage	Température de l'eau trop basse (chauffage)/trop élevée (climatisation) Minimum 32°C - Chauffage Maximum 15°C - Rafraîchissement	Le ventilateur démarre lorsque la température min/max de l'eau est atteinte. Il s'arrête lorsque les températures de l'eau diminuent/augmentent les valeurs min/max. Peut être vérifié avec les configurations F1/F2/F3 sur l'afficheur*
	Débit d'eau trop faible	Contactez votre installateur Mauvaise taille de tuyau possible, vannes non complètement ouvertes, système non équilibré ou besoin de ventilation ou pompe configurée trop bas
	Mauvais dimensionnement de l'appareil par rapport aux pertes calorifiques	Achever la perte de chaleur et respecifier le bon appareil

Si le ventilo-convecteur est toujours défectueux après les vérifications ci-dessus, contacter votre installateur.

\*Type FC/BC uniquement (appareils avec commande)

## Inhoudsopgave

1.0	Veiligheidsinstructies	20	5.0	Bediening (uitsluitend voor type BC en FC)	22
2.0	Installatie	21			
3.0	WATERAANSLUITING	21	6.0	Foutoplossing	25
4.0	Elektrische aansluiting	21	7.0	Bijlagen	32

### 1.0 Veiligheidsinformatie

De iVECTOR DIENT NIET op een badkamer te worden geïnstalleerd.

**WAARSCHUWING:** Alle iVECTOR-modellen dienen te worden geaard.

Het luchtinlaat- of -uitlaatrooster NIET bedekken of blokkeren.

Dit apparaat kan worden gebruikt door kinderen vanaf 8 jaar oud en personen met een verminderde fysieke of mentale capaciteit of zonder kennis en ervaring als deze begeleiding krijgen of instructies hebben ontvangen over het veilige gebruik van het apparaat en begrijpen wat de gevaren zijn.

Kinderen dienen niet met het apparaat te spelen. Reiniging en gebruikersonderhoud dienen niet door kinderen te worden uitgevoerd, tenzij ze meer dan 8 jaar oud zijn en begeleid worden.

Houd het apparaat en het snoer ervan buiten bereik van kinderen die nog geen 8 jaar oud zijn.

Kinderen die minder dan 3 jaar oud zijn, dienen weggehouden te worden van het apparaat, tenzij ze continu begeleid worden.

Kinderen tussen de 3 en 8 jaar oud dienen het apparaat alleen aan/uit te zetten, mits het in de normale bedrijfsstand is geplaatst of geïnstalleerd en mits ze begeleiding krijgen of instructies hebben ontvangen over het veilige gebruik van het apparaat en begrijpen wat de gevaren zijn.

Kinderen tussen de 3 en 8 jaar oud dienen het apparaat niet in te steken, te reinigen of gebruikersonderhoud erop te plegen.

Deze ventilatorconvectoren dient door bevoegde monteurs te worden geïnstalleerd.

Deze ventilatorconvectoren dient niet direct onder een contactdoos te worden geïnstalleerd.

Installeer deze ventilatorconvectoren niet op een te stoffige locatie.

## 2.0 Installatie

Voor de juiste installatie van dit apparaat is het essentieel dat de montage zo wordt uitgevoerd dat deze geschikt is voor het bedoeld gebruik en voorspelbaar misbruik. Alvorens de installatie te voltooien, dient men een aantal elementen in overweging te nemen, waaronder de montage methode voor bevestiging aan de muur, het type en de toestand van de muur zelf en alle extra mogelijke krachten of gewichten die eventueel op het apparaat kunnen worden uitgeoefend/geplaatst.

Voordat met de installatie wordt gestart eerst het kartonnen deksel verwijderen, de inhoud uitpakken en controleren of alle onderdelen in FIG 1 erin zitten. Controleer de inhoud ook op verborgen transportschade.

- |                          |                     |
|--------------------------|---------------------|
| 1. Onderstel             | 5. Montageset       |
| 2. Buitenbehuizing       | 6. Filter           |
| 3. Garantiekart          | 7. Rooster*         |
| 4. Instructiehandleiding | 8. Externe leiding† |

\*Alleen type FN/FC

†enkel geldig voor 4-pijps uitvoering

Controleer de plek waar het product moet worden geïnstalleerd; het muuroppervlak dient vlak te zijn en de vrije ruimte in FIG 2 dient beschikbaar te zijn. Als de iVECTOR op een valse wand wordt geïnstalleerd, kan dit het geluidsniveau negatief beïnvloeden, vooral bij hogere ventilatorsnelheden. Als de iVECTOR gebruikt gaat worden voor koeltoepassingen, dient men rekening te houden met de afvoer van het condensaat.

Voor types BC en BN dient procedure a tot f gevolgd te worden van FIG. 5 en voor type FC en FN dient procedure a tot c en g tot i gevolgd te worden om het toestel aan de wand te bevestigen.

**NB:** Plaats de buitenbehuizing niet totdat de wateraansluiting (paragraaf 3) en elektrische aansluiting (paragraaf 4) gemaakt zijn.

Type BN - Inlaat aan onderzijde/geen regeling  
 Type BC - Inlaat aan onderzijde/geïntegreerde regeling  
 Type FN - Inlaat aan voorzijde/geen regeling  
 Type FC - Inlaat aan voorzijde/geïntegreerde regeling

## 3.0 Wateraansluiting

**Nota:** Alvorens met het leiding netwerk te starten moet u de leiding diameters bepalen voor het gewenste debiet en het drukverlies..

- De leiding diameter moet in overeenstemming zijn met het debiet en het drukverlies.
- Aansluiting wisselaar 3/4" G.
- Wees voorzichtig bij het aansluiten van de toe- en afvoerleidingen aan de iVECTOR; zie FIG 3 voor informatie. Men vindt ook een aantal routing-opties in FIG 4.
- Er worden geen isolatiekleppen bij dit apparaat geleverd; men wordt wel geadviseerd deze te installeren voor het geval er in de toekomst onderhoud dient te worden gepleegd.
- Als de iVECTOR gebruikt gaat worden voor koeltoepassingen met gekoeld water, dient het leidingwerk dat het gekoelde water levert te worden geïsoleerd. Er vormt zich condensaat aan de spiraal dat in de condensaatvanger valt, zie FIG 6. Men dient ervoor te zorgen dat het condensaat kan worden afgevoerd volgens de plaatselijke regelgeving.
- Vul en ontluicht het systeem, open alle kleppen volledig en ontluicht vanuit de warmtewisselaar, zie FIG 7; controleer dan op lekken.
- De aanvoerleidingen die onder de iVECTOR lopen dienen geïsoleerd te worden.

## 4.0 Elektrische aansluiting

**WAARSCHUWING:** Alle iVECTOR-modellen dienen te worden geaard.

- De elektrische installatie dient te voldoen aan de plaatselijke of nationale bedravingsvoorschriften en dient te worden uitgevoerd door een bevoegde elektricien.
- Dit apparaat is voorzien van testsnoeren die in de fabriek zijn aangesloten. Verwijder deze en gooi ze weg.
- Er dient een gezeekerde elektrische aftakking met een zekering van maximaal 3A en een schakelaar met 3mm scheiding op alle polen te worden voorzien op een eenvoudig toegankelijke locatie naast het apparaat.
- De stroomkabel dient in het apparaat te worden gevoerd via de onderzijde van het apparaat, aan de rechterzijde van de bedieningskast m.b.v. de meegeleverde wartel. Het netsnoer mag alleen 0,75 mm<sup>2</sup> zijn.
- Verbind de fase, de nul en de aarde aan de klemverbindingen op het aansluitblok.
- Volg stap a-c in FIG 8 om in het bedieningspaneel te komen. De bedradingsschema's van het product staan in FIG 10.
- Teneinde de elektrische aansluiting van de thermische motoren ten behoeve van het kraanwerk te vereenvoudigen kan men het aansluitblok verwijderen van de printplaat zoals weergegeven in FIG. 8d. Het kabel traject moet voldoen aan FIG. 8e.
- Indien men de iVECTOR gaat gebruiken om te koelen moet men een externe ruimtevoeler aansluiten. Het vervangen van de interne voeler wordt weergegeven op FIG. 8f en 8g.
- Apparaten met regeling (type BC/FC) kunnen worden gebruikt om apparaten zonder regeling aan te sturen (type BN/FN) door de uitgang van 0-10V van het type BC/FC naar het type N te voeren volgens bedradingsschema 10c. Verbindingsdraden dienen klasse 22AWG, 60°C te zijn.
- Er kan een externe kamerthermostaat worden gebruikt om apparaten zonder regeling (type BN/FN) te besturen. De thermostaat dient een uitgangsspanning van 0-10 V te hebben.
- Het is mogelijk om maximaal 5 apparaten zonder regeling (type BN/FN) te besturen vanuit een apparaat met regeling (type BC/FC) of maximaal 6 apparaten zonder regeling (type BN/FN) vanuit een externe regelaar (door derden geleverd). Zie bedradingsschema 10a 'B' voor het uitgangssignaal van het apparaat met regeling en 10b 'D' voor het ingangssignaal vanuit het apparaat met regeling naar het apparaat zonder regeling; dit is hetzelfde ingangssignaal als voor de externe regelaar die staat in 10b 'D'.
- Meerdere kranen (tot 6 stuks) kunnen worden aangestuurd zoals weergegeven op FIG.10e.

Voor alle koel toepassingen dient een externe gebruikt te worden.

## 5.0 Bediening

Nota: Als men de confort instelling voor verwarmen hoger plaatst dan de confort instelling voor koeling, zal deze laatste lineair worden aangepast. Bijkomend, als de confort instelling voor verwarmen wordt ingesteld zodat deze de set-back temperatuur van de koeling bereikt, zal deze laatste eveneens verhogen met de confort instelling voor verwarmen.

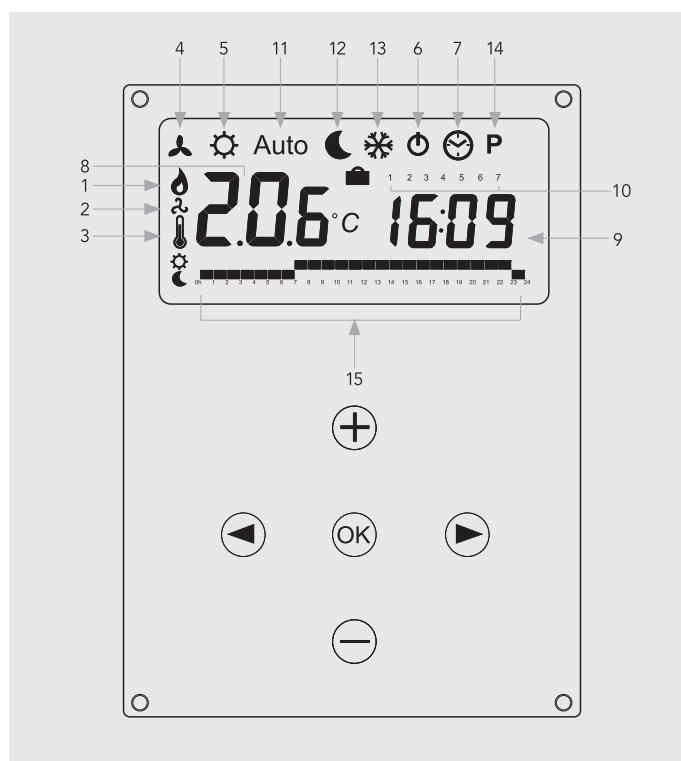
Idem, als de confort instelling voor koeling voorbij de confort instelling voor verwarmen gaat, zal deze laatste lineair meegaan. Indien de confort instelling voor koeling is verlaagd tot het bereik van de set-back temperatuur voor verwarmen, verlaagt de set-back temperatuur voor verwarmen tot de confort instelling voor koeling.

### Display

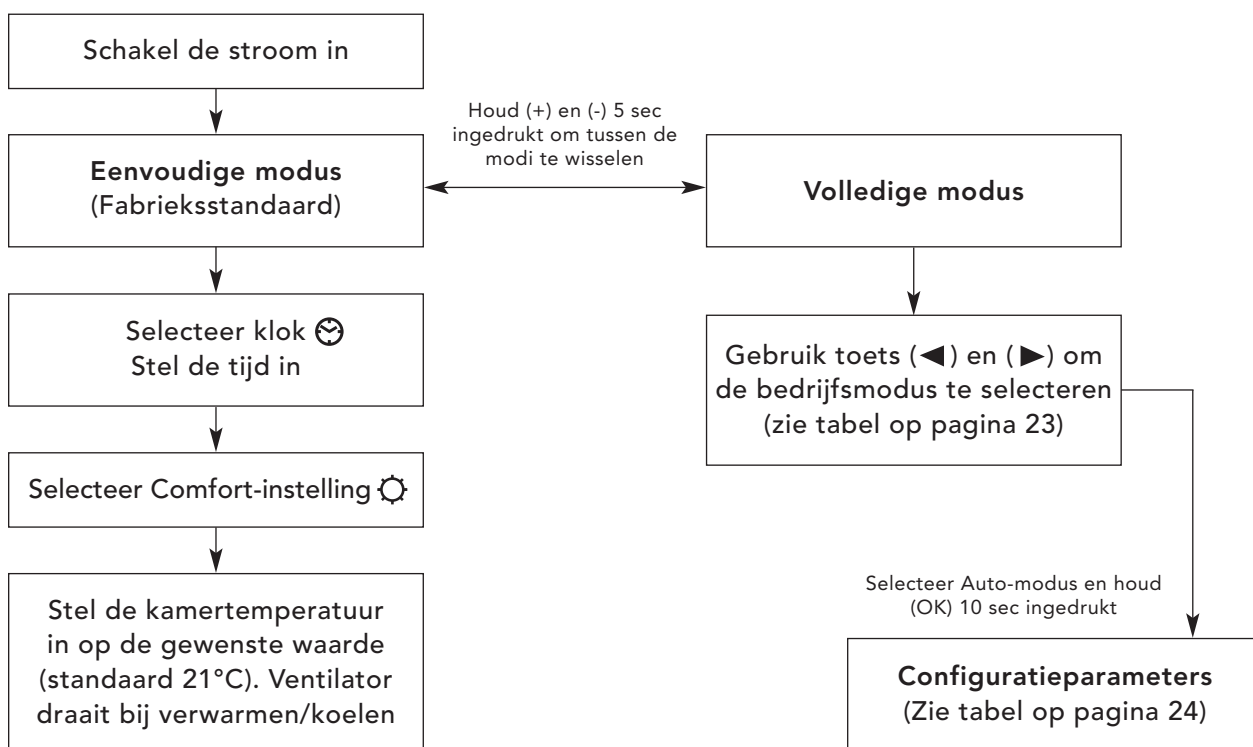
1. Verwarmingsindicator
2. Koelindicator
3. Temperatuursymbool - als dit erbij staat, wordt de huidige kamertemperatuur getoond
4. Symbool voor ventilatorsnelheid (bladen roteren indien actief)
5. Comfortinstelling
6. Power (aan/uit)
7. Klokinstelling
8. Kamertemperatuur
9. Tijd
10. Dag van de week
11. Auto-instelling (om ingesteld programma te volgen) - Alleen volledige modus
12. Nacht-terugzetstand - Alleen volledige modus
13. Vakantie-instelling - Alleen volledige modus
14. Programmamenu - Alleen volledige modus
15. Programmaschema - Alleen volledige modus

### Toetsen:

- OK Bevestigingstoets (OK)
- + Plus-toets (omhoog)
- Min-toets (omlaag)
- ◀ Links navigeren
- ▶ Rechts navigeren








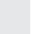
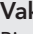


### Bediening apparaat



## 5.0 Bediening (vervolg...)

### Bedieningsmodi

Gebruik de ( ◀ ) en ( ▶ ) toets om onderstaande parameters te kiezen. Een functie is geselecteerd als het pictogram □ eromheen heeft.

Functie	Beschrijving	Afstelling	Beschikbaarheid	
			Eenvoudig	Volledig
	<b>Configuratie besturing</b> Het apparaat dient te worden geprogrammeerd voor bedrijf bij alleen verwarmen, alleen koelen of verwarmen en koelen.	<b>Configuratie besturing</b> Scroll naar vaste ventilator-modus  en druk vervolgens op de ◀ toets. Gebruik de (+) of (-) toets om uit onderstaande opties te kiezen: <b>Nod (Mode) HOt</b> voor verwarmen. <b>Nod (Mode) COLd</b> voor koelen. <b>Nod (Mode) AUtO</b> voor verwarmen en koelen. Druk op (OK) om te bevestigen.	Nee	Ja
	<b>Vaste ventilatorinstelling</b> F1, F2, F3 geeft resp. ventilatorsnelheid 1, 2 of 3 zonder temperatuurregeling.	Gebruik (+) of (-) om te selecteren en druk op (OK) om te bevestigen. (NB: het symbool voor de ventilatorsnelheid verschijnt alleen als de ventilator draait).	Ja	Ja
	<b>Comfortinstelling</b> De snelheid van de ventilator wordt automatisch aangepast in overeenstemming met het temperatuurverschil tussen de ruimte en instelwaarde. De ventilator zal enkel draaien indien het gemiddelde verwarmingswater in de warmtewisselaar boven de 32°C is en in koel modi onder de 15°C is.	Om de instelwaarde weer te geven drukt u op de (OK) toets. Door middel van de (+) en de (-) toets kan u de juiste instelling bepalen. Fabrieksinstelling comfort modus 21°C voor verwarming en 22°C in koeling.	Ja	Ja
Auto	<b>Automatische instelling</b> Het apparaat werkt volgens een van de 9 vooraf ingestelde tijdsprogramma's of een van de 4 door de gebruiker gedefinieerde programma's.	Zie pagina 24 voor programmaopties en -configuratie. Druk op (OK) om de nu ingestelde temperatuur te bekijken (Comfort of Terugzetstand).	Nee	Ja
	<b>Nacht-terugzetstand</b> Biedt kamertemperatuurregeling met automatische afstelling van de ventilatorsnelheid op basis van het verschil tussen de echte en de nacht-terugzettemperatuur.	Om de instelwaarde weer te geven drukt u op de (OK) toets. Door middel van de (+) en de (-) toets kan u de juiste instelling bepalen. Fabrieksinstelling nachtverlaging 19°C voor verwarming en 24°C in koeling.	Nee	Ja
	<b>Vakantiefunctie</b> Biedt vorstbescherming of bescherming tegen oververhitting tijdens afwezigheid (vakantie). De regeling telt af tot "00", waarna de regeling wordt hervat met de Auto-instelling. Voor vorstbescherming is de ingestelde temperatuur 7°C. Voor oververhitting is de ingestelde temperatuur 30°C.	Kies  , dan wordt  getoond. Gebruik de (+) en (-) om de duur in te stellen. (In uren "H" indien minder dan 24u en dan in dagen "d"). Gebruik de (-) toets om deze periode te onderbreken en de duur af te stellen bij "nee".	Nee	Ja
	<b>Power aan/uit</b> Zet het apparaat aan/uit.	Druk op (OK) om het apparaat aan of uit te zetten.	Ja	Ja
	<b>Menu klok instellen</b> Toont de tijd in 12u- of 24u-weergave.	Druk op (OK) Gebruik de (+) en (-) toets om de minuten in te stellen. Druk op (OK) Gebruik de (+) en (-) toets om de uren in te stellen. Druk op (OK) Gebruik de (+) en (-) om de dag in te stellen. Druk op (OK).	Ja	Ja
P	<b>Programmamenu</b> Biedt keuze tussen 9 voorgeprogrammeerde en 4 door de gebruiker gedefinieerde tijdsprogramma's.	Zie pagina 24, programmamodus.	Nee	Ja

## 5.0 Bediening (vervolg...)

### Configuratieparameters installateur

Om toegang te krijgen tot het menu installatieparameters, scrollt u naar **AUTO** (in volledige modus) en houdt u (**OK**) 10s ingedrukt. Gebruik de (**◀**) en (**▶**) toets om de af te stellen parameter te selecteren. Druk op (**OK**) om de parameterinstelling te wijzigen; als

de waarde begint te knippen, gebruik dan de (+) en (-) toets om de waarde af te stellen. Druk dan op (**OK**) om te bevestigen. Ga zodra de parameters zijn ingesteld naar de **<End>** parameter en druk op (**OK**) om terug te keren naar het hoofdmenu.

Parameter Naam	Omschrijving	Standaard instelling	Alternatieve instelling
<b>dEG</b>	Selecteer temperatuurschaal.	°C	°F
<b>00:00</b>	Selecteer urenweergave.	12H	24H
<b>Air (Air)</b>	IJking interne luchtsensor op basis van de huidige kamertemperatuur. (De ijking dient te worden uitgevoerd na 12 uur bedrijf op dezelfde ingestelde temperatuur).	Om de temperatuur van de luchtsensor af te stellen, voert u de gemeten temperatuur met de (-) of (+) toets in. Druk op (OK) om de ijking te bevestigen. Druk de (+) en (-) toets tegelijk in om de afwijkingswaarde te herstellen.	
<b>CSP</b>	Instelling koelen.	De standaard water switching temperatuur voor het koelen is 15°C, kan deze worden veranderd door op (+) of (-) toets vervolgens op (OK) om te bevestigen.	
<b>HSP</b>	Instelling verwarmen.	De standaard water schakeltemperatuur voor verwarming is 32°C, kan deze worden veranderd door op (+) of (-) toetsen vervolgens op (OK) om te bevestigen.	
<b>Nb vAL</b> (alleen modellen met 2 leidingen)	Selectie van het aantal aan te sturen kleppen. Deze parameter hangt af van het systeemontwerp.	0 klep	1 klep
<b>FAS SPEE</b>	Hiermee kan de maximale ventilatorsnelheid worden uitgezet - het apparaat werkt dan alleen op lage en middelhoge snelheid.	FA5 Voor snel	NEd Voor middelhoog
<b>NIGt</b>	Selecteer optie voor ventilatorsnelheid als het apparaat tijdens koelen terugkeert naar de nacht-terugzetstand.	NOr (voor normale regeling)	AL1 (alleen ventilatorsnelheid 1)
<b>CLr ALL</b>	Herstelt de fabrieksinstellingen van de regeling.	Houd (OK) 5 seconden ingedrukt	
<b>End</b>	Installatiemenu verlaten.	Druk op (OK)	

### Programmamodus

#### Selectie ingebouwd programma

Men beschikt over 9 voorgeprogrammeerde tijdskanalen P1-P9 en tevens over 4 tijdsprogramma's die men zelf kan definiëren U1-U4. Elke dag is gesegmenteerd in 24 periodes van 1 uur om

start en stoptijd te bepalen. Tijdens de dag periode zal de comfort instellingen van kracht zijn en gedurende de nachtperiode deze van de nacht instellingen.

Comfort Periods			
P1	Morgen, avond en weekend	weekdag	07:00 - 09:00 & 17:00 - 23:00
		weekend	08:00 - 23:00
P2	Morgen, middag, avond en weekend	weekdag	07:00 - 09:00, 12:00 - 14:00 & 17:00 - 23:00
		weekend	08:00 - 23:00
P3	Dag en weekend	weekdag	06:00 - 23:00
		weekend	08:00 - 24:00
P4	Avond en Weekend	weekdag	15:00 - 23:00
		weekend	08:00 - 24:00
P5	Morgen, avond	weekdag	06:00 - 08:00 & 21:00 - 23:00
		weekend	06:00 - 08:00 & 18:00 - 24:00
P6	Morgen, middag en weekend	weekdag	06:00 - 08:00 & 14:00 - 21:00
		weekend	07:00 - 21:00
P7	7u - 19u (kantooruren)	weekdag	07:00 - 19:00
		weekend	n/a
P8	8u - 19u, zaterdag	weekdag	08:00 - 19:00
		weekend	09:00 - 18:00
P9	Alleen weekend	weekdag	13:00 - 24:00
		weekend	00:00 - 24:00



## 5.0 Bediening (vervolg...)

### Menu gebruikersprogramma's

Selecteer met de (+) en (-) toets U1-U4 (FIG 9, B) en druk op (OK) om een door de gebruiker gedefinieerd programma in te voeren.

FIG 9, C toont welke dag door het programma wordt ingesteld (1 staat voor maandag), terwijl FIG 9, D laat zien welke uren worden geprogrammeerd.

Door op (+) te drukken, wordt het uur als Comfort-modustemperatuur ingesteld; door op (-) te drukken, wordt het uur als Nacht-terugzettemperatuur ingesteld.

Gebruik de (◀) of (▶) toets om de knipperende cursor naar het gewenste uur te bewegen en het programma te wijzigen. Als de getoonde dag correct is, drukt u op (OK) om het programma naar de volgende dag te kopiëren. Druk bij dag "7" op OK om af te sluiten en het programma te bevestigen.

## 6.0 Foutoplossing

Probleem	Mogelijke oorzaken	Oplossing
Display werkt niet	Stroom uitgeschakeld	Stroom aanzetten
	Zekering doorgeslagen	Zekering vervangen
	Apparaat uitgeschakeld	Zet het apparaat aan via het lcd-display*
Er staat ERROR* op het display	Sensor niet aangesloten	Sensor weer aansluiten*
Er staat FILT* op het display	Herinnering om filter te reinigen	Houd (+) 5 seconden ingedrukt*
Ventilator werkt niet	Stroom uitgeschakeld	Stroom aanzetten
	Zekering doorgeslagen	Zekering vervangen
	Apparaat uitgeschakeld	Zet het apparaat aan via het lcd-display*
	Ingestelde temperatuur bereikt	De ventilator stopt zodra de ingestelde waarde is bereikt. Door de ingestelde waarde te verhogen, start de ventilator weer
	Watertemperatuur te laag (verwarmen) /te hoog (koelen) Minimaal 32°C - Verwarmen Maximaal 15°C - Koelen	Ventilator start als min/max watertemperatuur is bereikt en stopt als watertemperatuur beneden/boven min/max waarde komt Controle is mogelijk via F1/F2/F3 instellingen op display*
	Waaier geblokkeerd	Controleer of de waaier vrij kan draaien
	Motor geblokkeerd	Controleer of de motor vrij kan draaien
Defecte motor	Neem contact op met de klantenservice	
Apparaat verwarmt slecht	Watertemperatuur te laag (verwarmen) /te hoog (koelen) Minimaal 32°C - Verwarmen Maximaal 15°C - Koelen	Ventilator start als min/max watertemperatuur is bereikt en stopt als watertemperatuur beneden/boven min/max waarde komt Controle is mogelijk via F1/F2/F3 instellingen op display*
	Waterstroom onvoldoende	Neem contact op met uw installateur Mogelijk onjuiste leidingmaat, kleppen niet geheel open, systeem niet gebalanceerd of dient te worden ontluicht of pomp te laag ingesteld
	Apparaat heeft onjuiste afmetingen tegen warmteverlies	Warmteverlies afronden en correct apparaat opnieuw specificeren

Als de ventilatorconvectoren nog steeds niet werkt na controle van het bovenstaande, neem dan contact op met uw installateur.

\*Alleen type FC/BC (apparaat met regeling)

## Spis treści

1.0	Instrukcje bezpieczeństwa	26	5.0	Regulacja (Tylko dla typu BC i FC)	28
2.0	Montaż	27	6.0	Rozwiązywanie problemów	31
3.0	Podłączenie do wody	27	7.0	Załączniki	32
4.0	Podłączenie do prądu	27			

## 1.0 Informacje dotyczące bezpieczeństwa

Konwektora iVECTOR NIE WOLNO instalować w łazience.

**OSTRZEŻENIE:** Wszystkie modele konwektorów iVECTOR muszą być uziemione.

**NIE ZAKRYWAĆ** ani **NIE ZASTAWIAĆ** kratki wlotu ani wylotu powietrza.

Urządzenie mogą obsługiwać dzieci powyżej 8 roku życia oraz osoby o ograniczonych zdolnościach fizycznych lub umysłowych, a także niemające doświadczenia ani wiedzy, o ile robią to pod nadzorem innych lub zostały przeszkolone z zakresu bezpiecznej obsługi urządzenia i rozumieją potencjalne zagrożenia z nim związane.

Dzieciom nie wolno bawić się urządzeniem. Czyszczeniem i czynnościami konserwacyjnymi po stronie użytkownika nie powinny zajmować się dzieci, chyba że ukończyły 8 rok życia i znajdują się pod nadzorem osób dorosłych.

Urządzenie i przewód zasilający powinny znajdować się poza zasięgiem dzieci poniżej 8 roku życia.

Dzieci poniżej 3 roku życia mogą zbliżyć się urządzenia wyłącznie pod stałym nadzorem osób dorosłych.

Dzieci pomiędzy 3 a 8 rokiem życia mogą wyłącznie włączać/wyłączać

urządzenie, pod warunkiem że jest ono umieszczone lub zamontowane w normalnej pozycji roboczej, a dzieci znajdują się pod nadzorem osób dorosłych lub zostały poinstruowane w zakresie bezpiecznego użytkowania urządzenia i rozumieją zagrożenia z nim związane.

Dzieci pomiędzy 3 a 8 rokiem życia nie powinny podłączać urządzenia do prądu, czyścić go ani wykonywać czynności konserwacyjnych po stronie użytkownika.

Omawiany konwektor wentylatorowy mogą montować wyłącznie wykwalifikowani specjaliści.

Konwektora wentylatorowego nie można montować bezpośrednio pod gniazdkiem elektrycznym.

Nie instalować konwektora wentylatorowego w miejscach, których występuje nadmierne zapylenie.

## 2.0 Montaż

Aby zapewnić prawidłowy montaż urządzenia, istotne jest jego zamocowanie w sposób odpowiedni pod względem zamierzonego użycia i przewidywanego błędnego użycia. Przed zakończeniem montażu należy wziąć pod uwagę różne kwestie, w tym sposób mocowania urządzenia do ściany, rodzaj i stan ściany oraz wszelkie dodatkowe potencjalne naprężenia i obciążenia, które mogą mieć wpływ na urządzenie.

Przed przystąpieniem do montażu należy zdjąć kartonową pokrywę, odpakować zawartość i sprawdzić w oparciu o RYS. 1. Należy również sprawdzić zawartość pod kątem ukrytych uszkodzeń powstałych podczas transportu.

- |                       |                        |
|-----------------------|------------------------|
| 1. Rama               | 5. Zestaw do mocowania |
| 2. Obudowa            | 6. Filtr               |
| 3. Karta gwarancyjna  | 7. Kratka*             |
| 4. Instrukcja obsługi | 8. Czujnik zewnętrzny† |

\*Wyłącznie modele FN/FC

†Tylko dla wersji 4-rurowej

Sprawdzić miejsce, w którym produkt ma zostać zamontowany. Powierzchnia ściany musi być płaska i muszą zostać zachowane prześwity wskazane na RYS. 2. Jeśli konwektor iVECTOR zostanie zamontowany do ściany szkieletowej, mogą powstawać niepożądane efekty dźwiękowe, zwłaszcza przy wyższych prędkościach pracy wentylatora. Jeśli konwektor iVECTOR będzie używany w zastosowaniach chłodniczych, należy zapewnić odpowiednie usuwanie kondensatu.

Dla typów BC i BN należy postępować wg kroków a-f z rys. 5, a dla typów FC i FN wg kroków a-c, a następnie g-i, które pokazują, jak prawidłowo zamocować urządzenie na ścianie.

**Uwaga:** Nie montować obudowy przed podłączeniem wody (rozdział 3) i prądu (rozdział 4).

Typ BN - Wlot u dołu / brak regulatora  
 Typ BC - Wlot u dołu / zintegrowany regulator  
 Typ FN - Wlot z przodu / brak regulatora  
 Typ FC - Wlot z przodu / zintegrowany regulator

## 3.0 Podłączenie do wody

**Uwaga:** Przed wykonaniem podłączenia hydraulicznego należy sprawdzić czy została dobrana właściwa średnica rur z uwzględnieniem natężenia przepływu i strat ciśnienia.

- Średnice rur doprowadzających czynnik powinny być dobrane z uwzględnieniem natężenia przepływu i strat ciśnienia.
- Przyłącze wymiennika - GW  $3/4$ ".
- Należy zachować ostrożność podczas podłączania rur zasilających i powrotnych do konwektora iVECTOR. Dodatkowe informacje można znaleźć na RYS. 3. Ponadto różne opcje układu rur przedstawiono na RYS. 4.
- Zawory odcinające nie są dostarczane wraz z urządzeniem, ale zaleca się ich montaż w przypadku potrzeby przeprowadzenia prac konserwacyjnych w przyszłości.

- Jeśli konwektor iVECTOR będzie używany do chłodzenia za pomocą zimnej wody, rury doprowadzające zimną wodę powinny być zaizolowane. Na wymienniku będzie gromadził się kondensat, który będzie skapywał do odpowiedniego zbiornika. Patrz RYS. 6. Należy zapewnić odpowiednie usuwanie kondensatu zgodnie z wszelkimi obowiązującymi przepisami.
- Napełnić i odpowietrzyć układ, otworzyć w pełni wszystkie zawory i odpowietrzyć po stronie wymiennika ciepła (patrz RYS. 7), a następnie sprawdzić pod kątem przecieków.
- Orurowanie klimakonwektora iVECTOR zarówno po stronie grzewczej jak i chłodniczej bezwzględnie należy zaizolować.

## 4.0 Podłączenie do prądu

**OSTRZEŻENIE:** Wszystkie modele konwektorów iVECTOR muszą być uziemione.

- **Montaż do instalacji elektrycznej musi zostać przeprowadzony przez wykwalifikowanego elektryka zgodnie ze wszelkimi obowiązującymi przepisami dotyczącymi połączeń elektrycznych.**
- Urządzenie jest dostarczane z fabrycznie montowanymi przewodami testowymi. Należy je zdemontować i usunąć.
- Należy zapewnić łatwy dostęp do odgałęzienia liniowego z bezpiecznikiem (maks. 3A) oraz przełącznika z 3 mm odstępem na obu biegunach w pobliżu urządzenia.
- Wejście przewodów elektrycznych do urządzenia należy zapewnić od dołu, do skrzynki sterowniczej po prawej stronie, używając dostarczonego dławika kablowego. Przewód zasilający musi mieć wymiary 0,75 mm<sup>2</sup>.
- Podłączyć przewód napięcia, neutralny i uziemiający do styków kostki zaciskowej.
- Aby uzyskać dostęp do panelu sterowania, należy wykonać kroki a-c pokazane na RYS. 8. Schemat połączeń elektrycznych produktu pokazano na RYS. 10.
- Dla zestawu zaworowego z siłownikiem elektrycznym, istnieje możliwość wypięcia zacisków z płyty głównej, celem łatwiejszego podłączenia siłownika, jak pokazano na RYS. 8d. Przewód przyłączeniowy powinien zostać poprowadzony wg schematu na RYS. 8e.
- W przypadku zastosowania zewnętrznego czujnika temperatury dla trybu chłodzenia, należy usunąć czujnik wbudowany w urządzenie

RYS. 8f, a czujnik zewnętrzny podłączyć zgodnie ze schematem przedstawionym na rys. 8g i wskazówkami z rys. 8h-8i.

- Urządzenia wyposażone w regulator (typ BC/FC) mogą być używane do sterowania urządzeniami bez regulatora (typ BN/FN) z wykorzystaniem wyjścia 0–10 V do podłączenia jednostki typu BC/FC do typu BN/FN zgodnie ze schematami elektrycznymi 10a i 10b. Przewody łączące jednostki powinny być przewodami 22 AWG ze znamionowym zakresem temperatur do 60°C.
- Do sterowania urządzeniami bez regulatora (typ BN/FN) można użyć zewnętrznego termostatu zamontowanego w pomieszczeniu. Termostat musi mieć wyjście 0–10 V.
- Można sterować maks. 5 urządzeniami bez regulatora (typ BN/FN) za pomocą urządzenia wyposażonego w regulator (typ BC/FC) lub maks. 6 urządzeniami bez zintegrowanego regulatora (typ N) za pomocą zewnętrznego regulatora (dostarczonego przez inną firmę). Zobacz schemat elektryczny 10a „B”, aby uzyskać informacje o sygnale wyjściowym z jednostek z regulatorem oraz 10b „D”, aby uzyskać informacje o sygnale wejściowym z jednostek regulatorem do jednostek bez regulatora. Jest to również sygnał wejściowy do zewnętrznych regulatorów, jak pokazano na schemacie 10b „D”.
- Dla kilku urządzeń (maks. 6) wyposażonych w zawory, jedno z nich może pełnić funkcję nadrzędną (sterować pozostałymi), jak pokazano na rys. 10e.

Dla trybu chłodzenia, niezbędny jest zewnętrzny czujnik temperatury, patrz RYS. 8f - 8i.

## 5.0 Regulacja

Uwaga: Przy zwiększeniu wartości zadanej temperatury w trybie ogrzewania ponad wartość zadaną temperatury chłodzenia, wartość zadana temperatury chłodzenia zostanie zwiększona odpowiednio do nowej wartości zadanej temperatury ogrzewania. Jeśli wartość zadana temperatury ogrzewania jest dalej zwiększana do momentu osiągnięcia temperatury trybu obniżenia, ta temperatura również zostanie podniesiona odpowiednio do wartości zadanej temperatury ogrzewania.

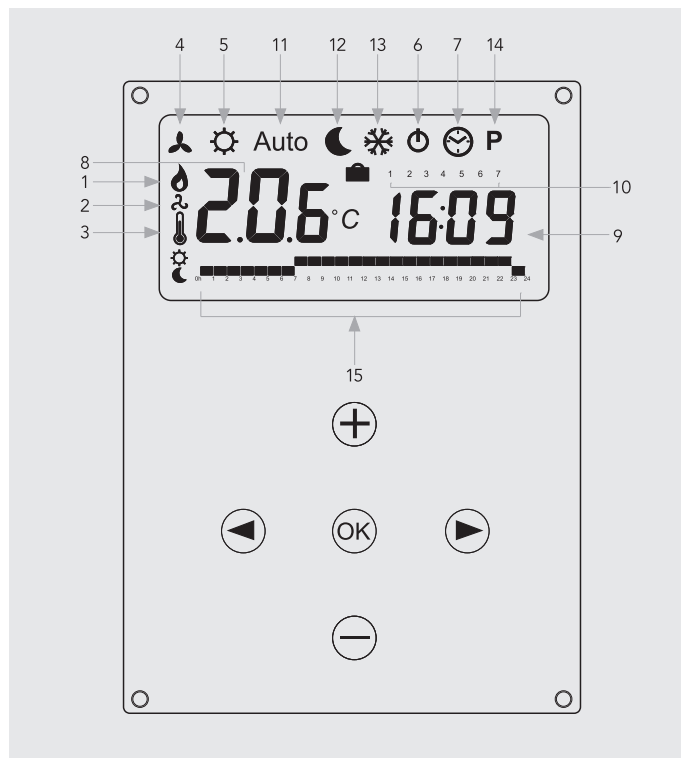
Uwaga: Przy obniżeniu wartości zadanej temperatury w trybie chłodzenia poniżej wartości zadanej temperatury ogrzewania, wartość zadana temperatury ogrzewania zostanie obniżona odpowiednio do nowej wartości zadanej temperatury chłodzenia. Jeśli wartość zadana temperatury chłodzenia jest dalej obniżana do momentu osiągnięcia temperatury trybu obniżenia, ta temperatura również zostanie obniżona odpowiednio do wartości zadanej temperatury chłodzenia.

### Wyświetlacz

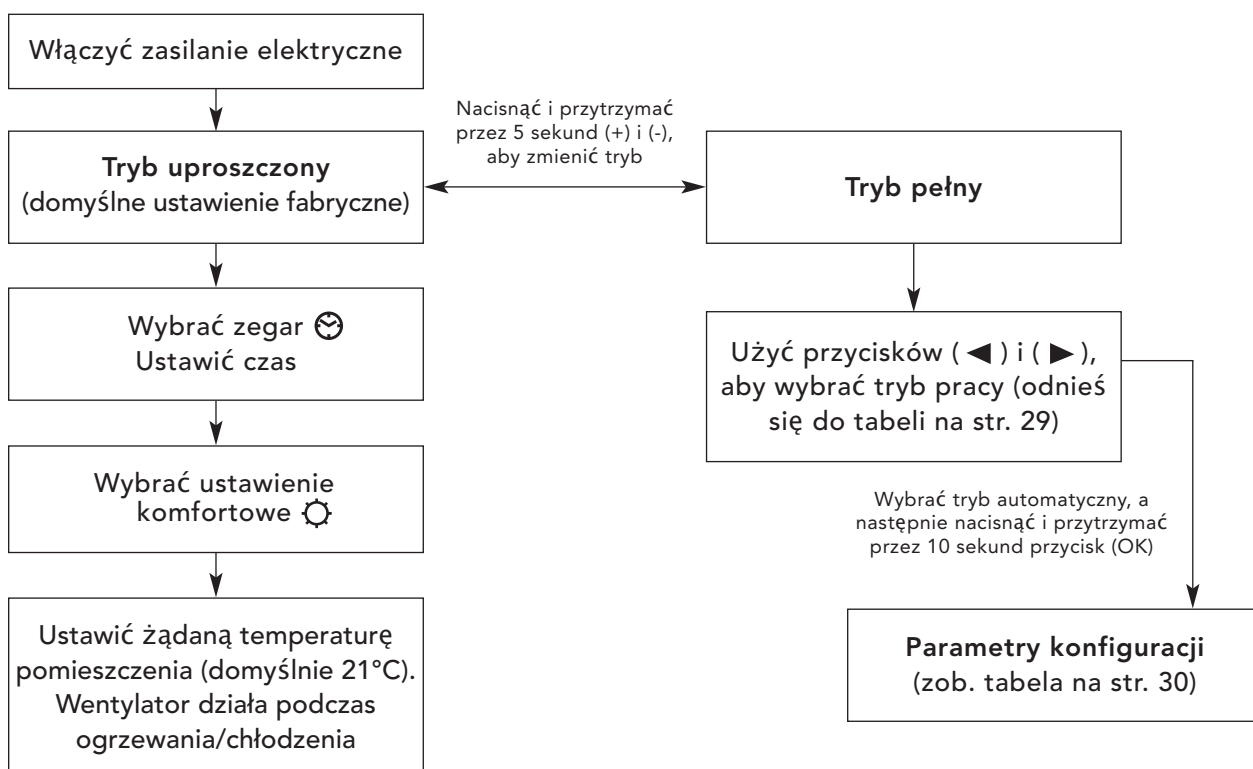
1. Kontrolka ogrzewania
2. Kontrolka chłodzenia
3. Symbol temperatury – jeśli jest wyświetlany, pokazywana jest bieżąca temperatura w pomieszczeniu
4. Symbol prędkości wentylatora (jeśli jest aktywny, łopatki wentylatora obracają się)
5. Ustawienie komfortowe
6. Zasilanie (wł./wył.)
7. Ustawienia zegara
8. Temperatura pomieszczenia
9. Czas
10. Dzień tygodnia
11. Ustawienie automatyczne (wykonujące ustawiony program) – tylko tryb pełny
12. Ustawienie nocne – tylko tryb pełny
13. Ustawienie wakacyjne – tylko tryb pełny
14. Menu programów – tylko tryb pełny
15. Harmonogram programów – tylko tryb pełny

### Przyciski:

- OK Przycisk potwierdzenia (OK)
- + Przycisk plusa (w górę)
- Przycisk minusa (w dół)
- ◀ Nawigacja w lewo
- ▶ Nawigacja w prawo









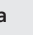


### Obsługa urządzenia



## 5.0 Regulacja (ciąg dalszy...)

### Tryby pracy

Użyć przycisków (◀) i (▶), aby wybrać spośród następujących parametrów. Funkcja została wybrana, jeżeli jej ikona jest otoczona przez □.

Funkcja	Opis	Regulacja	Dostępność	
			Uprosz- czony	Pełny
	<b>Konfiguracja pracy elementów sterowania</b> Urządzenie musi być zaprogramowane do pracy w trybie wyłącznie ogrzewania, wyłącznie chłodzenia lub ogrzewania i chłodzenia.	<b>Konfiguracja pracy elementów sterowania</b> Przejdź do trybu stałej pracy wentylatora  , a następnie naciśnij przycisk (◀). Użyć przycisków (+) i (-), aby wybrać spośród następujących opcji: <b>Nod (Mode) HOt</b> do ogrzewania. <b>Nod (Mode) COld</b> do chłodzenia. <b>Nod (Mode) AUtO</b> do ogrzewania i chłodzenia. Naciśnij przycisk (OK), aby potwierdzić.	Nie	Tak
	<b>Ustawienie stałej pracy wentylatora</b> Ustawienia F1, F2, F3 odpowiadają za prędkość wentylatora 1, 2 lub 3 bez regulacji temperatury.	Użyć przycisków (+) i (-), aby wybrać tryb pracy i naciśnij przycisk (OK), aby potwierdzić. (Symbol prędkości wentylatora pojawi się wyłącznie, jeżeli wentylator rzeczywiście pracuje).	Tak	Tak
	<b>Ustawienie komfortowe</b> Ustawienie komfortowe umożliwia sterowanie temperatur w pomieszczeniu z bezstopniową regulacją prędkości wentylatora, wg różnicy pomiędzy faktyczną temperaturą w pomieszczeniu i wartości temperatury zadanej. Wentylator załącza się, gdy temperatura czynnika wynosi $\geq 32^{\circ}$ dla trybu ogrzewania, $\leq 15^{\circ}\text{C}$ dla trybu chłodzenia, lub dla zadanych wartości temperatury.	Naciśnij przycisk (OK) na panelu sterującym w celu pokazania wartości temperatury zadanej. Użyj (+) lub (-) w celu uzyskania zgodnej z oczekiwaniami temperatury w pomieszczeniu. Domyślną temperaturą dla trybu ogrzewania jest $21^{\circ}\text{C}$ , a dla trybu chłodzenia $22^{\circ}\text{C}$ .	Tak	Tak
Auto	<b>Ustawienie automatyczne</b> Jednostka będzie pracować zgodnie z jednym z 9 wstępnie ustawionych programów czasowych lub jednym z 4 programów czasowych zdefiniowanych przez użytkownika.	Informacje o opcjach i konfiguracji programów patrz strona 30. Naciśnij przycisk (OK), aby wyświetlić obecnie ustawioną temperaturę (tryb komfortowy lub nocny).	Nie	Tak
	<b>Ustawienie nocne</b> Zapewnia regulację temperatury pomieszczenia z automatyczną regulacją prędkości wentylatora opartą na różnicy pomiędzy faktyczną i ustawioną temperaturą nocną.	Naciśnij (OK) dla wyświetlenia ustawienia temperatury. Użyj przycisków (+) lub (-) w celu zmiany temperatury	Nie	Tak
	<b>Funkcja wakacyjna</b> Zapewnia ochronę przed zamarzaniem lub przegrzewaniem w czasie nieobecności użytkowników (wakacje). Regulator odliczy czas do „00”, a następnie powróci do trybu automatycznego. Temperatura ochrony przed zamarzaniem wynosi $7^{\circ}\text{C}$ . Temperatura ochrony przed przegrzewaniem wynosi $30^{\circ}\text{C}$ .	Wybrać  . Zostanie wyświetlony symbol  . Użyć przycisków (+) i (-), aby dostosować czas. (Dostosować czas w kolumnie „H” w przypadku godzin lub w kolumnie „d” w przypadku dni). Użyć przycisku (-), aby przerwać ustawiony okres czasu i dostosować czas w kolumnie „no”.	Nie	Tak
	<b>Zasilanie (wł./wył.)</b> Włącza lub wyłącza jednostkę.	Naciśnij przycisk (OK), aby włączyć lub wyłączyć zasilanie.	Tak	Tak
	<b>Menu ustawień zegara</b> Wyświetla czas w formacie 12- lub 24-godzinnym.	Naciśnij przycisk (OK). Użyć przycisków (+) i (-), aby ustawić minuty. Naciśnij przycisk (OK). Użyć przycisków (+) i (-), aby ustawić godziny. Naciśnij przycisk (OK). Użyć przycisków (+) i (-), aby ustawić dni. Naciśnij przycisk (OK).	Tak	Tak
P	<b>Menu programów</b> Zapewnia wybór spośród 9 wstępnie ustawionych programów czasowych oraz 4 programów czasowych zdefiniowanych przez użytkownika.	Informacje o trybach programów znajdują się na stronie 30.	Nie	Tak

## 5.0 Regulacja (ciąg dalszy...)

### Parametry konfiguracyjne instalatora

Aby uzyskać dostęp do menu parametrów instalacji, przejść do **AUTO** (w trybie pełnym), a następnie nacisnąć przycisk **(OK)** i przytrzymać przez 10 sekund. Użyć przycisków **(◀)** i **(▶)**, aby podświetlić parametr do zmiany. Nacisnąć przycisk **(OK)**, aby

przełączyć ustawienie parametrów. Gdy wartość zacznie migać, użyć przycisków **(+)** i **(-)**, aby ją zmienić. Następnie nacisnąć przycisk **(OK)**, aby potwierdzić. Po ustawieniu parametrów przejść do parametru **<End>** i nacisnąć przycisk **(OK)**, aby powrócić do menu głównego.

Nazwa parametru	Opis	Ustawienie domyślne	Ustawienie alternatywne
<b>dEG</b>	Umożliwia wybranie skali temperatury.	°C	°F
<b>00:00</b>	Umożliwia wybranie formatu godziny.	12-godzinny	24-godzinny
<b>Air (Powietrze)</b>	Kalibracja wewnętrznego czujnika powietrza względem faktycznej temperatury pomieszczenia. (Kalibrację należy przeprowadzić po 12 godzinach pracy z tą samą ustawioną temperaturą).	Aby wyregulować temperaturę czujnika powietrza, wprowadzić zmierzoną temperaturę za pomocą przycisków <b>(-)</b> lub <b>(+)</b> . Aby potwierdzić kalibrację, nacisnąć przycisk <b>(ok)</b> . Nacisnąć przyciski <b>(+)</b> i <b>(-)</b> jednocześnie, aby zresetować wartość odchylenia.	
<b>CSP</b>	Ustawiony punkt chłodzenia.	Domyślna temperatura przełączania wody do chłodzenia to 15°C, którą można zmienić, naciskając <b>(+)</b> lub <b>(-)</b> Klawisze następnie naciskając <b>(OK)</b> , aby potwierdzić.	
<b>HSP</b>	Ustawiony punkt ogrzewania.	Domyślna temperatura przełączania wody do ogrzewania wynosi 32°C, którą można zmienić, naciskając <b>(+)</b> lub <b>(-)</b> Klawisze następnie naciskając <b>(OK)</b> , aby potwierdzić.	
<b>Nb vAL (Tylko modele 2-rurowe)</b>	Umożliwia wybór liczby zaworów do napędzania. Parametr zależy od projektu systemu.	0 zaworów	1 zawór
<b>FAS SPEE</b>	Umożliwia wyłączenie maksymalnej prędkości wentylatora. Urządzenie będzie pracować wyłącznie z niską lub średnią prędkością.	FA5 Tryb szybki	NEd Tryb średni
<b>NIGt</b>	Umożliwia wybór prędkości wentylatora w momencie przejścia urządzenia w tryb nocny w przypadku chłodzenia.	NOR (Normalne ustawienie)	AL1 (Prędkość wentylatora tylko na poziomie 1)
<b>CLr ALL</b>	Przywraca ustawienia fabryczne.	Nacisnąć <b>(OK)</b> przez 5 sekund.	
<b>End</b>	Wyjście z menu instalacji.	Nacisnąć przycisk <b>(OK)</b> .	

### Tryb programu

#### Wybór wgranego programu

W urządzeniu dostępnych jest 9 preinstalowanych programów (P1-P9) oraz 4 programy użytkownika (U1-U4), umożliwiające samodzielne zdefiniowanie parametrów pracy urządzenia. Każdy dzień został podzielony na 24 okresy pracy urządzenia, każdy o długości 1 godz., dla których można ustawić pracę w trybie

komfortu (21°C dla trybu ogrzewania i 22°C dla trybu chłodzenia) lub trybie nocnym (19°C dla trybu ogrzewania i 24°C dla trybu chłodzenia). W celu wyboru preprogramowanego programu, należy przewinąć list programów P1-P9 na panelu urządzenia, za pomocą przycisków **(+)**/**(-)** (RYS. 9a). Po wybraniu programu, wyświetlacz przejdzie automatycznie w tryb **AUTO**.

Okresy komfortu			
P1	Poranek, wieczór i weekend	Dzień powszedni	07:00 - 09:00 & 17:00 - 23:00
		Weekend	08:00 - 23:00
P2	Poranek, popołudnie, wieczór i weekend	Dzień powszedni	07:00 - 09:00, 12:00 - 14:00 & 17:00 - 23:00
		Weekend	08:00 - 23:00
P3	Dzień i weekend	Dzień powszedni	06:00 - 23:00
		Weekend	08:00 - 24:00
P4	Wieczór i weekend	Dzień powszedni	15:00 - 23:00
		Weekend	08:00 - 24:00
P5	Poranek, wieczór	Dzień powszedni	06:00 - 08:00 & 21:00 - 23:00
		Weekend	06:00 - 08:00 & 18:00 - 24:00
P6	Poranek, popołudnie i weekend	Dzień powszedni	06:00 - 08:00 & 14:00 - 21:00
		Weekend	07:00 - 21:00
P7	7:00–19:00 (biuro)	Dzień powszedni	07:00 - 19:00
		Weekend	n/a
P8	8:00–19:00, sobota	Dzień powszedni	08:00 - 19:00
		Weekend	09:00 - 18:00
P9	Tylko weekend	Dzień powszedni	13:00 - 24:00
		Weekend	00:00 - 24:00

## 5.0 Regulacja (ciąg dalszy...)

### Menu programów użytkownika

Wybrać U1–U4 (RYS. 9, B) za pomocą przycisków (+) i (-) i nacisnąć przycisk (OK), aby przejść do programu zdefiniowanego przez użytkownika.

RYS. 9, C przedstawia dzień, który jest programowany (1 reprezentuje poniedziałek), a RYS. 9, D wskazuje godziny, które są programowane.

Naciśnięcie przycisku (+) spowoduje ustawienie temperatury w trybie komfortowym, a naciśnięcie przycisku (-) ustawienie temperatury w trybie nocnym dla danej godziny.

Użyć przycisków (◀) lub (▶), aby przesunąć migający kursor do wybranej godziny i zmodyfikować program. Jeśli wyświetlany dzień jest prawidłowy, nacisnąć przycisk (OK), aby skopiować program do następnego dnia. Nacisnąć przycisk OK przy dniu „7”, aby zakończyć i zatwierdzić program.

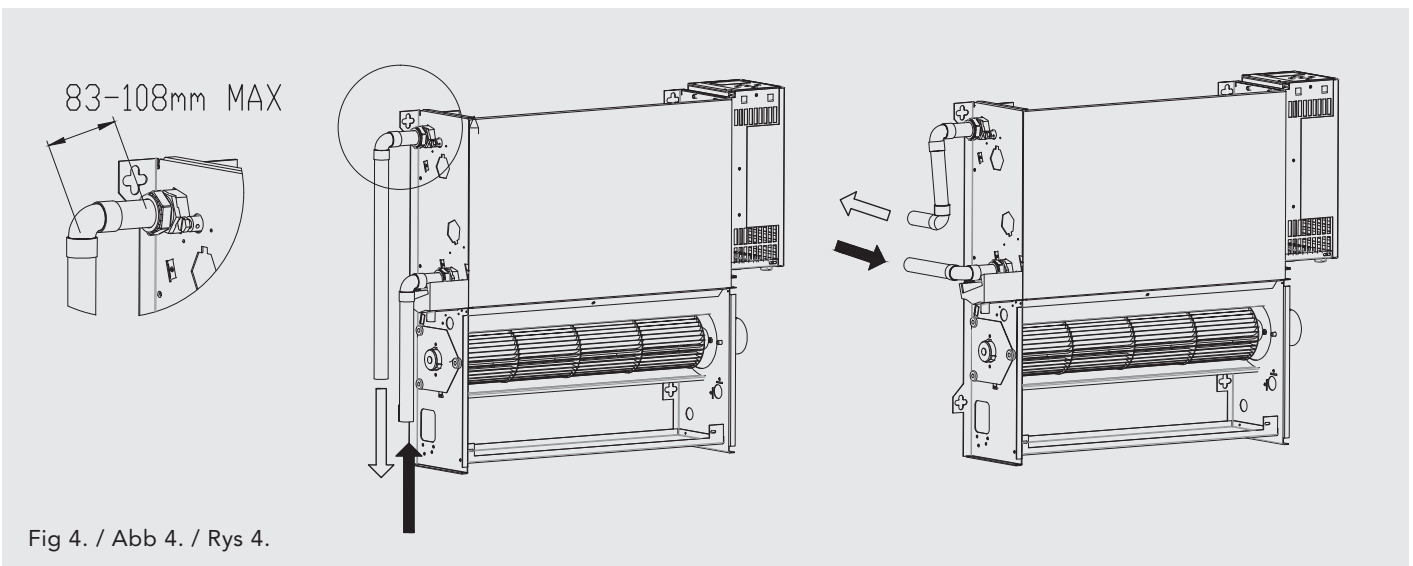
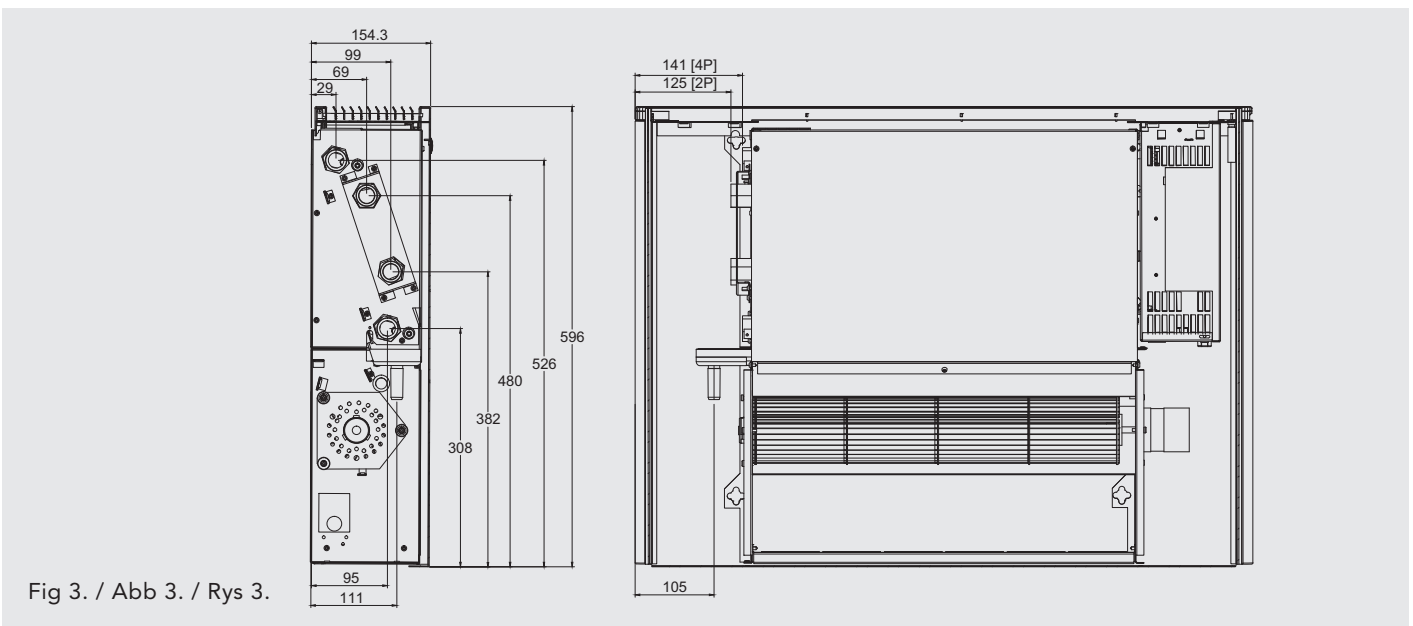
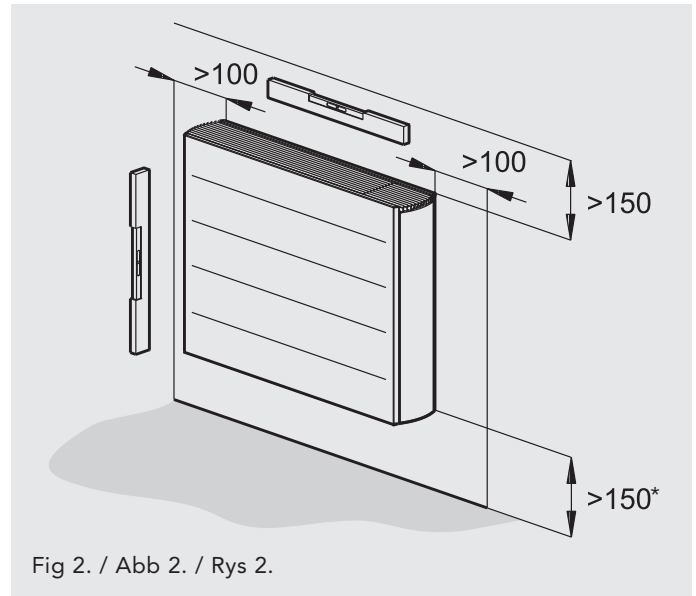
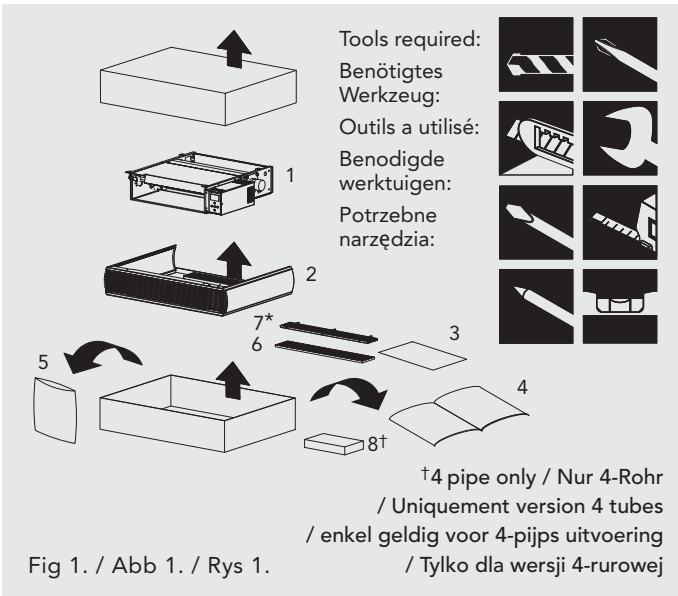
## 6.0 Rozwiązywanie problemów

Problem	Możliwa przyczyna	Rozwiązanie
Wyświetlacz nie działa	Zasilanie wyłączone	Włączyć zasilanie
	Spalony/wyzwolony bezpiecznik	Wymienić bezpiecznik
	Urządzenie wyłączone	Włączyć urządzenie na wyświetlaczu LCD*
Na wyświetlaczu pojawia się komunikat ERROR*	Odłączony czujnik	Ponownie podłączyć czujnik*
Na wyświetlaczu pojawia się komunikat FILT*	Przypomnienie o wyczyszczeniu filtra	Nacisnąć przycisk (+) przez 5 sekund*
Wentylator nie działa	Zasilanie wyłączone	Włączyć zasilanie
	Spalony/wyzwolony bezpiecznik	Wymienić bezpiecznik
	Urządzenie wyłączone	Włączyć urządzenie na wyświetlaczu LCD*
	Osiągnięto ustawioną temperaturę	Wentylator przestanie działać po osiągnięciu ustawionej temperatury. Zwiększenie ustawionej temperatury spowoduje ponowne uruchomienie wentylatora.
	Zbyt niska temperatura czynnika (tryb ogrzewania)/Zbyt wysoka temperatura czynnika (tryb chłodzenia) Minimum 32°C - ogrzewanie (domyślnie) Maksimum 15°C - chłodzenie (domyślnie)	Wentylator aktywuje się, gdy osiągnana jest minimalna/maksymalna temperatura wody i zatrzymuje się, gdy temperatura wody spada poniżej granicy / przekracza granicę temperatury minimalnej/maksymalnej. Możliwość sprawdzenia za pomocą ustawień F1/F2/F3 na wyświetlaczu*
	Wirnik zablokowany	Upewnić się, że wirnik może się obracać
	Silnik zablokowany	Upewnić się, że silnik może się obracać
Awaria silnika	Skontaktować się z obsługą klienta	
Słaba wydajność podczas ogrzewania	Temperatura zbyt niska (ogrzewanie) / zbyt wysoka (chłodzenie) Minimum 32°C – ogrzewanie Maksimum 15°C – chłodzenie	Wentylator aktywuje się, gdy osiągnana jest minimalna/maksymalna temperatura wody i zatrzymuje się, gdy temperatura wody spada poniżej granicy / przekracza granicę temperatury minimalnej/maksymalnej. Możliwość sprawdzenia za pomocą ustawień F1/F2/F3 na wyświetlaczu*
	Brak przepływu wody	Skontaktować się z instalatorem. Możliwe, że zastosowano nieprawidłowy rozmiar rur, zawory nie są w pełni otwarte, układ nie jest zrównoważony, wymagane jest odpowietrzenie lub ustawienia pompy są zbyt niskie.
	Urządzenie źle dobrane pod względem rozmiaru do stopnia utraty ciepła	Obliczyć utratę ciepła i ponownie ustalić rozmiar urządzenia

Jeśli konwektor wentylatorowy nadal nie działa prawidłowo po sprawdzeniu powyższych elementów, skontaktować się z instalatorem.

\*Tylko modele FC/BC (z regulatorem)

Appendix / Anhang / Annexe / Bijlage / Załącznik



\*Type FN/FC only / Nur für Typ FN/FC / Type FN/FC uniquement / Alleen type FN/FC / Wyłącznie modele FN/FC ♦2P/4P †4P  
 Dimensions (mm) / Abmessungen [mm] / Dimension (mm) / Wymiary (mm)



Appendix (continued...) / Anhang (fortsetzung...) / Annexe (suite...) / Bijlage (vervolg...) / Załącznik (ciąg dalszy...)

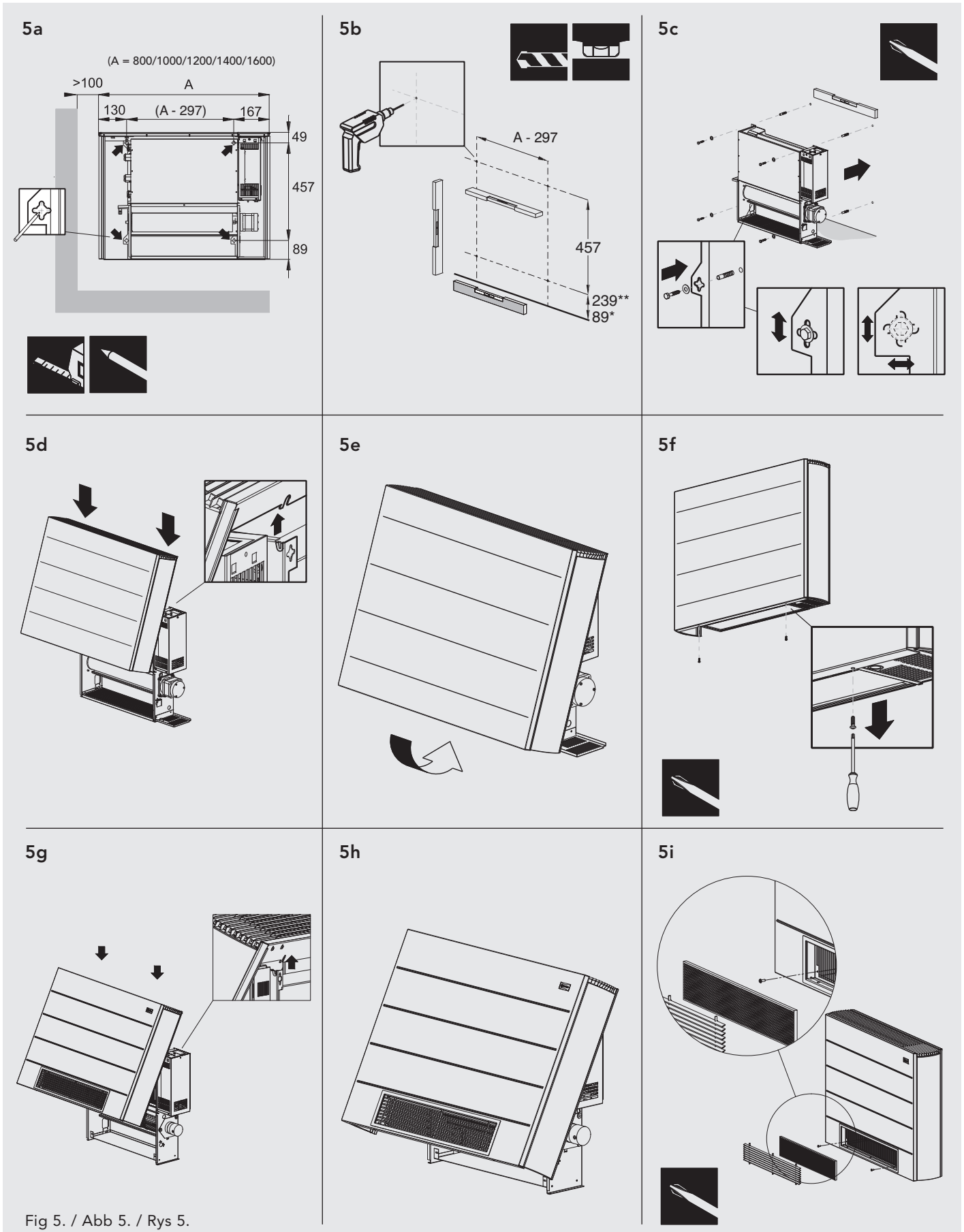


Fig 5. / Abb 5. / Rys 5.

\*Type FN/FC only / Nur für Typ FN/FC / Type FN/FC uniquement / Alleen type FN/FC / Wyłącznie modele FN/FC

\*\*Type BN/BC only / Nur für Typ BN/BC / Type BN/BC uniquement / Alleen type BN/BC / Wyłącznie modele BN/BC

Appendix (continued...) / Anhang (fortsetzung...) / Annexe (suite...) / Bijlage (vervolg...) / Załącznik (ciąg dalszy...)

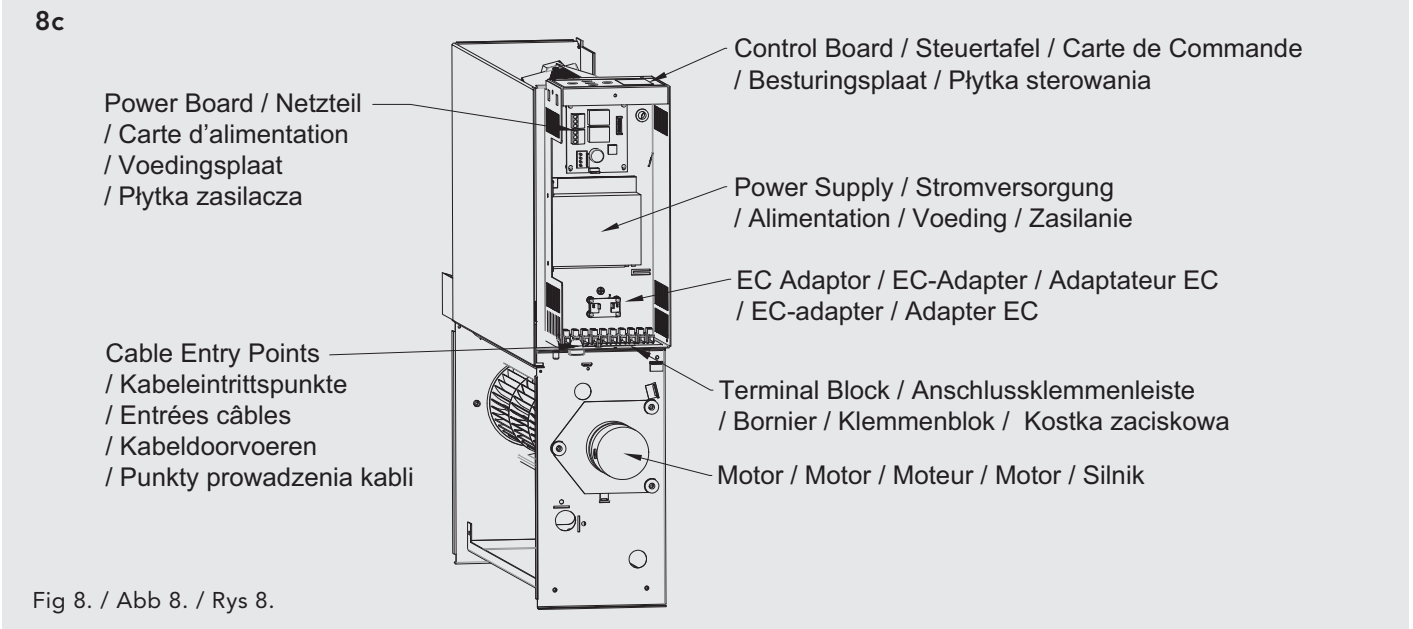
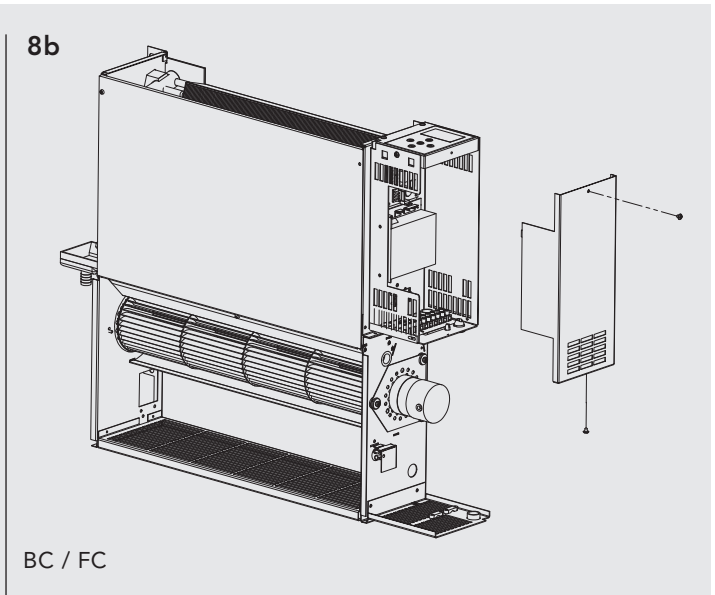
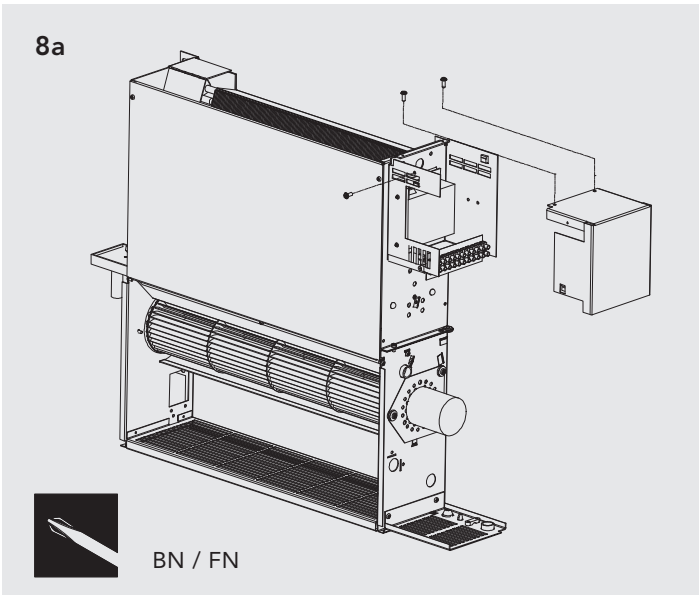
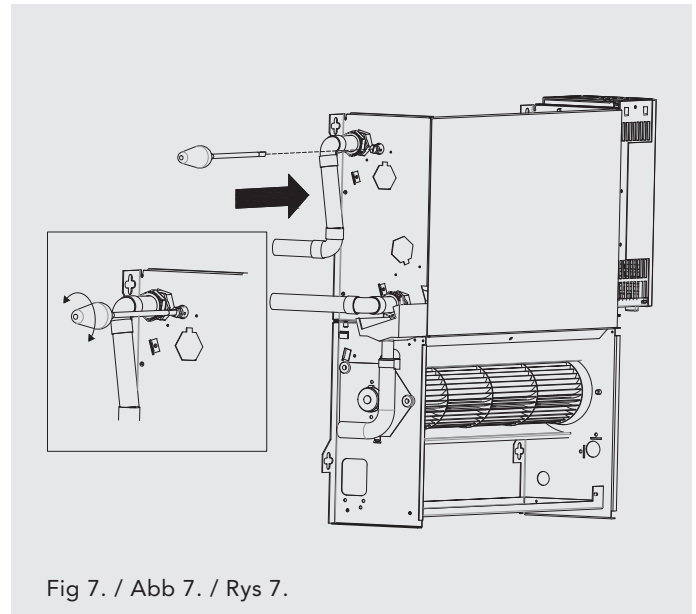
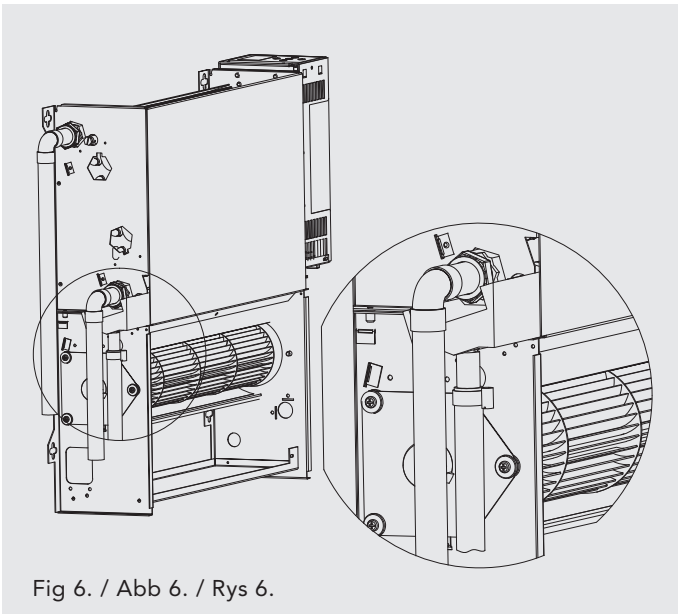
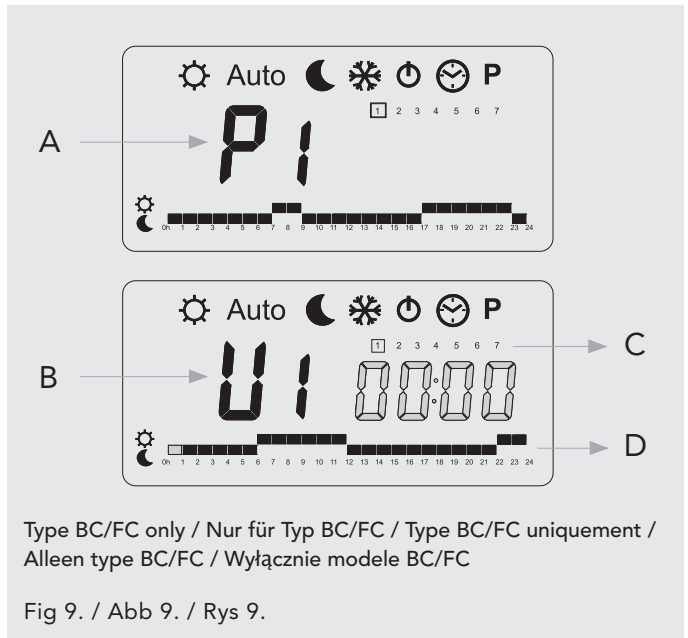
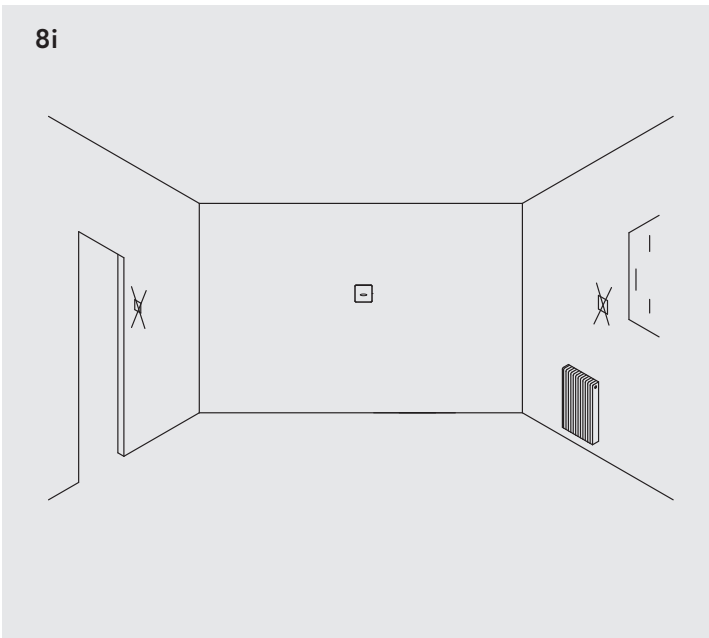
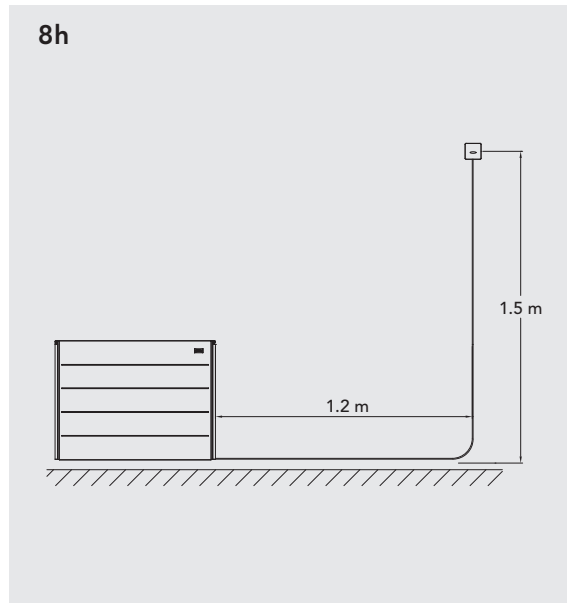
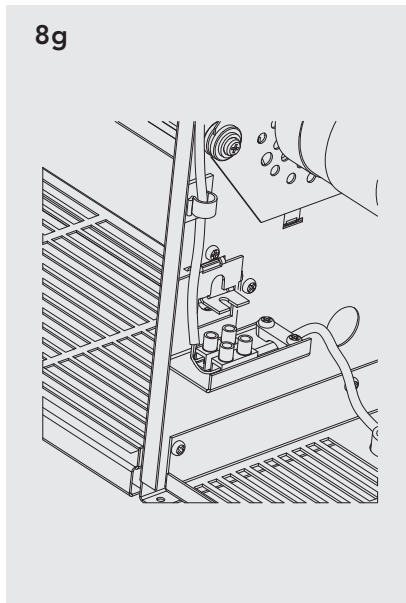
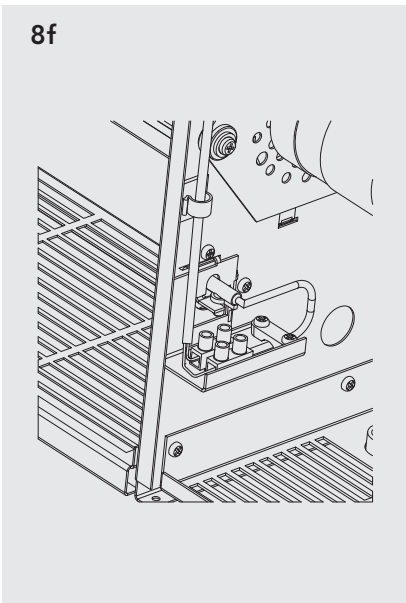
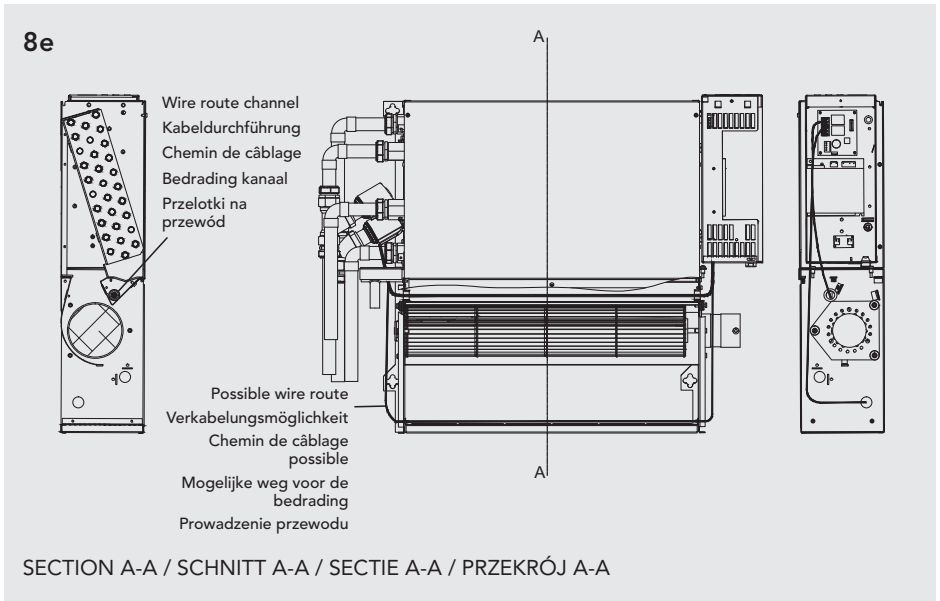
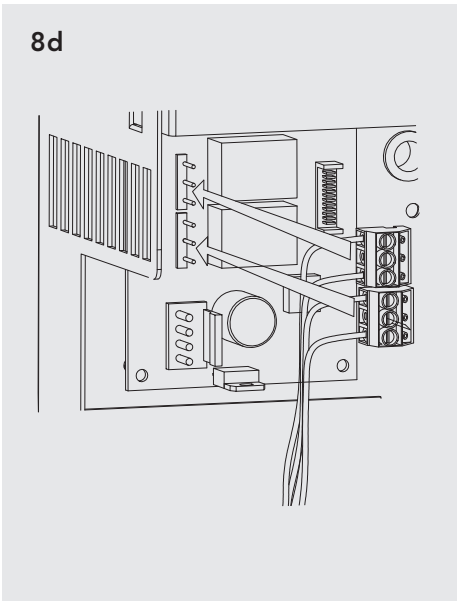


Fig 8. / Abb 8. / Rys 8.

Appendix (continued...) / Anhang (fortsetzung...) / Annexe (suite...) / Bijlage (vervolg...) / Załącznik (ciąg dalszy...)



1. Type BC/FC only / Nur für Typ BC/FC / Type BC/FC uniquement / Alleen type BC/FC / Wyłącznie modele BC/FC

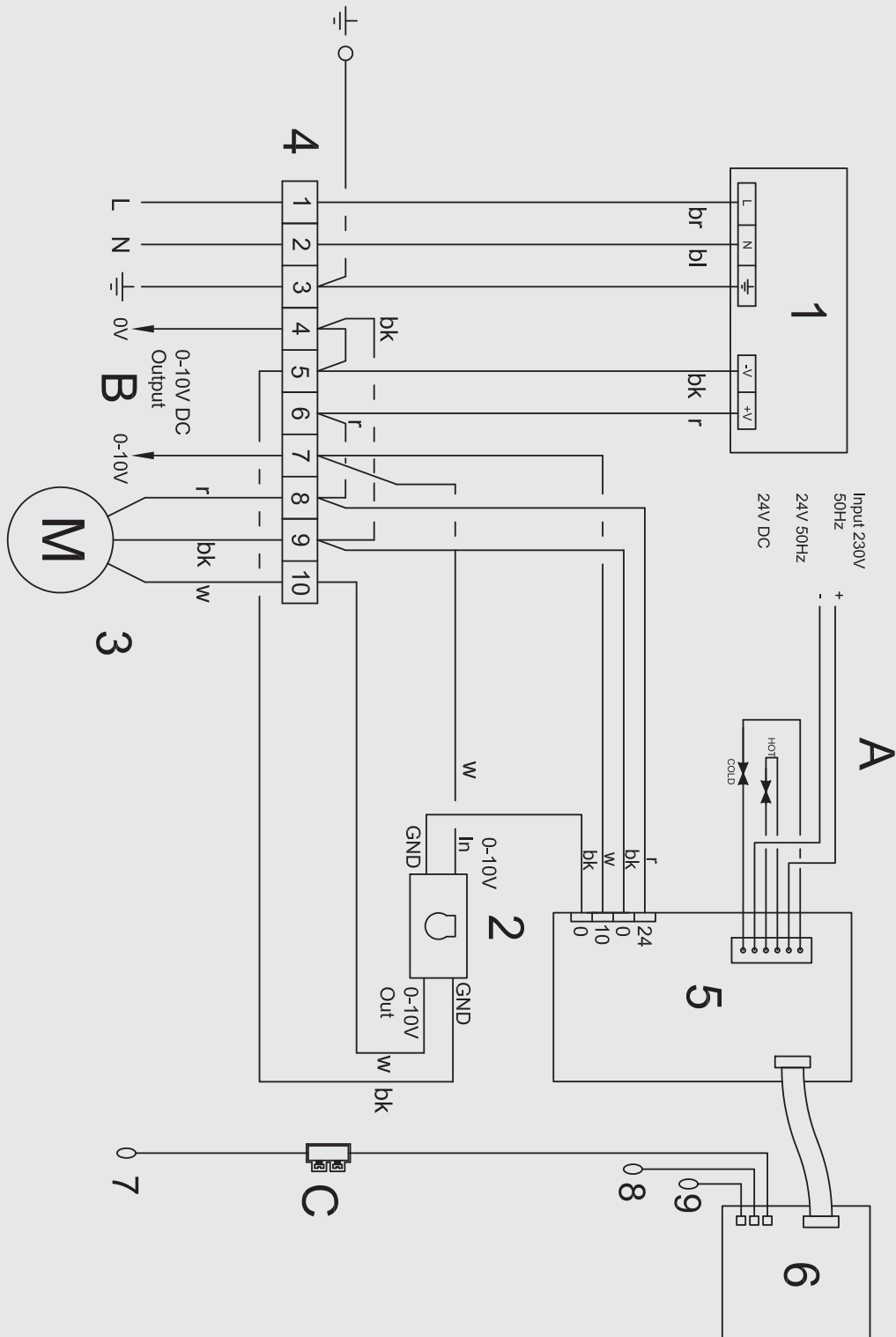


Fig 10a. / Abb 10a. / Rys 10a.

2. Type BN/FN only / Nur für Typ BN/FN / Type BN/FN uniquement / Alleen type BN/FN / Wyłącznie modele BN/FN

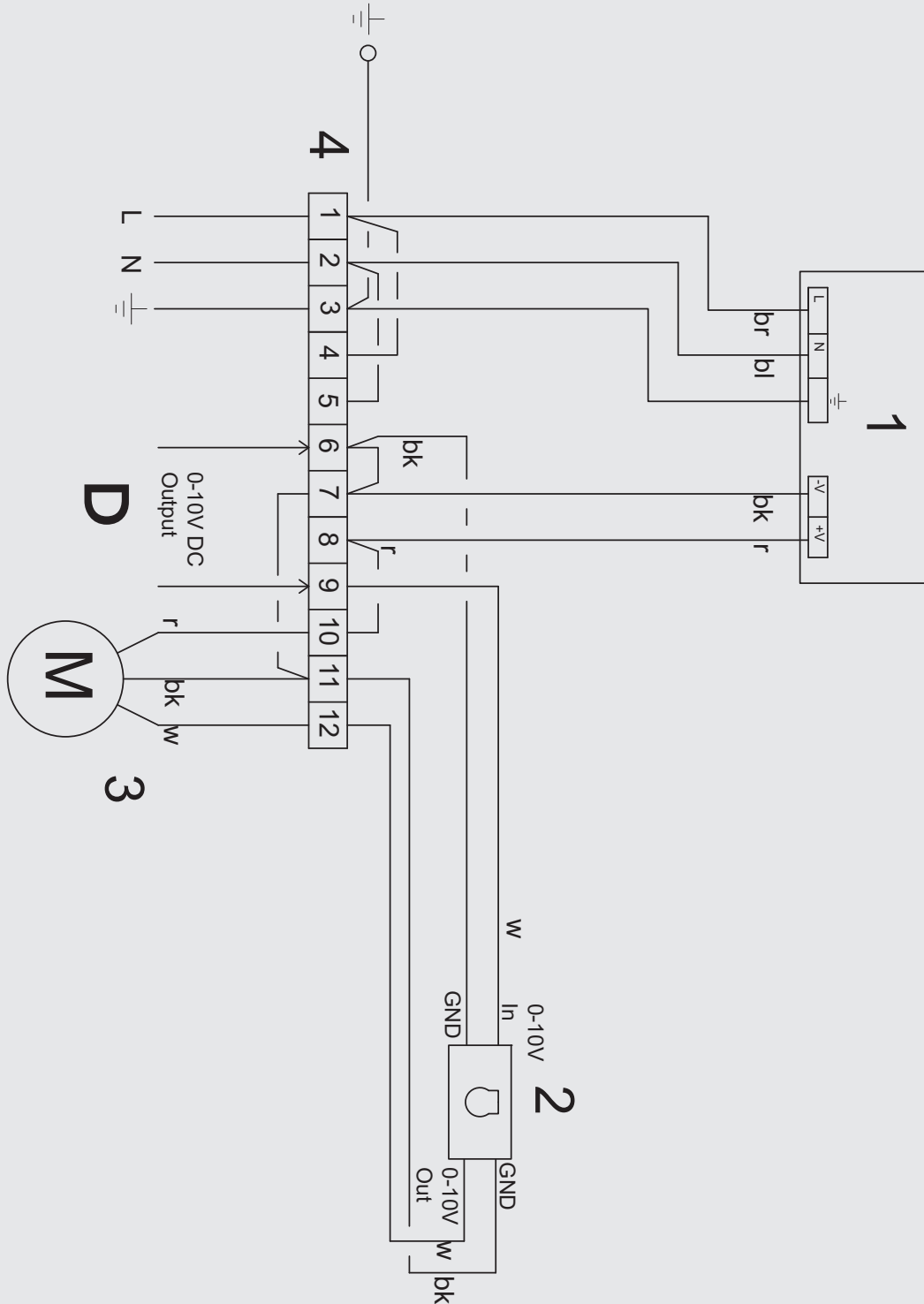


Fig 10b. / Abb 10b. / Rys 10b.

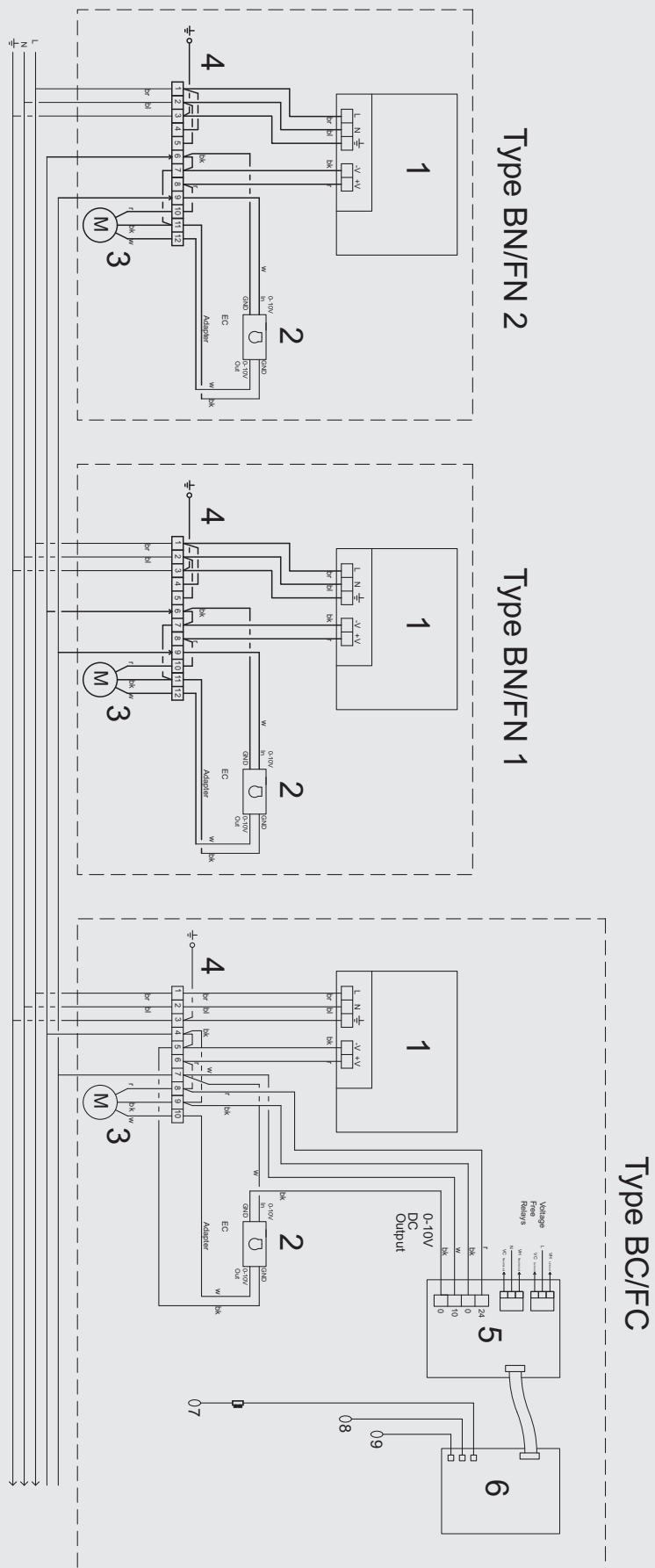


Fig 10c. / Abb 10c. / Rys 10c.

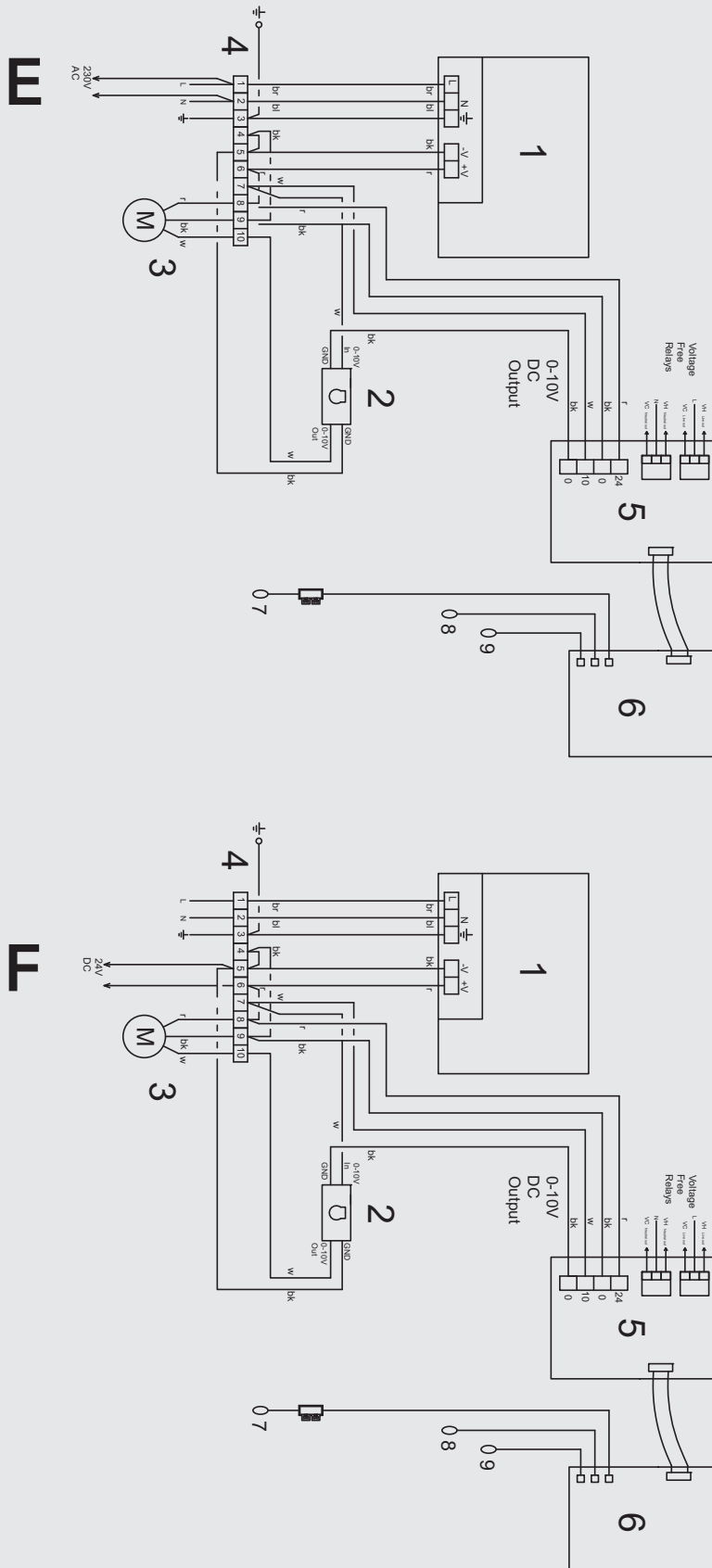
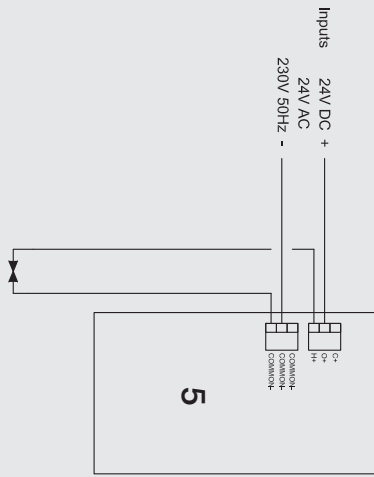
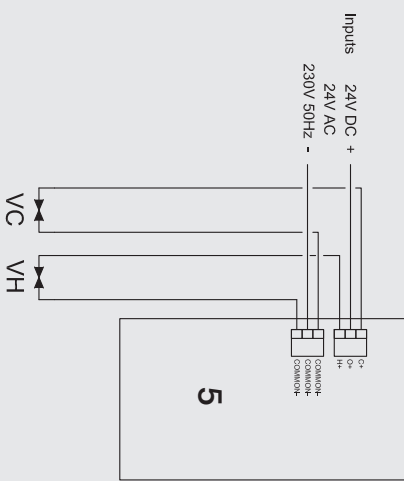


Fig 10d. / Abb 10d. / Rys 10d.

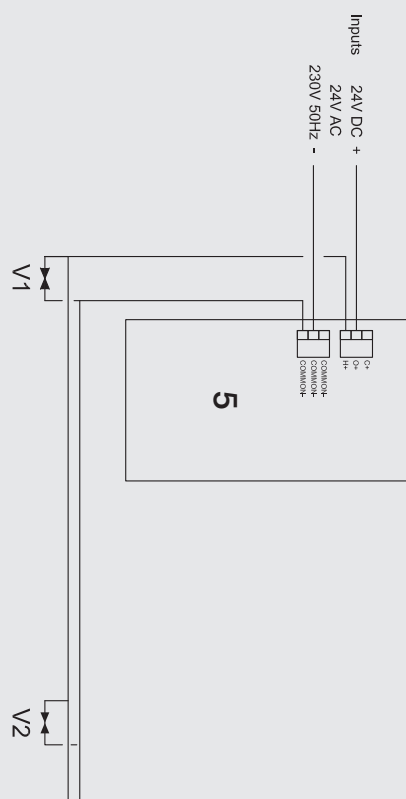
**2p - Type BC/FC**



**4p - Type BC/FC**



**2p - Type BC/FC and Type BN/FN**



**4p - Type BC/FC and Type BN/FN**

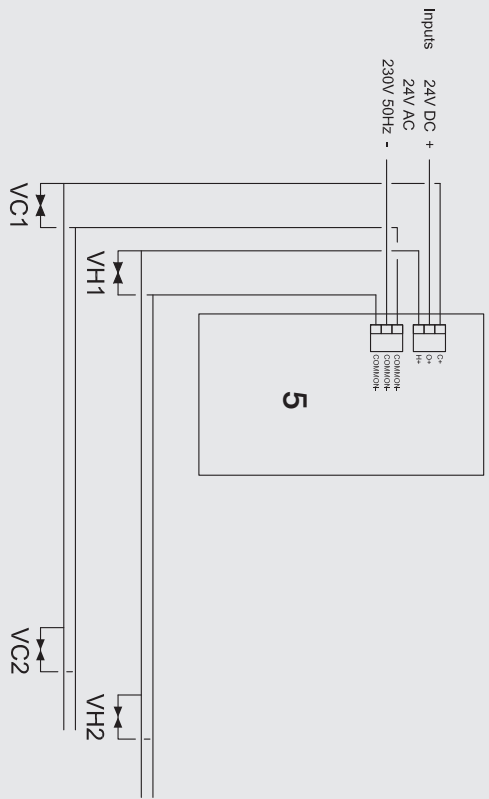


Fig 10e. / Abb 10e. / Rys 10e.



**Appendix (continued...) / Anhang (fortsetzung...) / Annexe (suite...) / Bijlage (vervolg...) / Załącznik (ciąg dalszy...)**
**Wiring Diagrams' Key / Schaltschema Legende / Schéma de câblage / Bedrading schema / Schemat podłączeń**

1	Power Supply Stromversorgung / Alimentation / Voeding / Zasilanie	A	Voltage Free Terminals (Valve Switching) Spannungsfreie Anschlüsse (Ventilschaltung) Bornes hors potentiel (commutation vanne) Spanningsvrije klemmen (schakelen kleppen) Złącza bez napięcia (przełączanie zaworów)
2	EC Adaptor EC-Adapter / Adaptateur EC / EC-adapter / Adapter EC	B	Output to Slave unit (Optional) Ausgang zur Slave-Einheit (Optional) Sortie vers unité Esclave (option) Uitgang naar Slave-apparaat (optie) Wyjście do jednostki podrzędnej (opcjonalne)
3	Motor Motor / Moteur / Motor / Silnik	C	Air Sensor Terminal Block Luftsensor-Klemmleiste Connection sonde d'air Aansluitklem omgevingsvoeler Zaciski przyłączeniowe dla czujnika temperatury powietrza
4	Terminal Block Anschlussklemmenleiste / Bornier / Klemmenblok / Kostka zaciskowa	D	Input from Master unit (Optional) Eingang von der Master-Einheit (Optional) Entrée à partir de l'unité Maître (option) Ingang vanaf Master-apparaat (optie) Wejście z jednostki nadrzędnej (opcjonalne)
5	Power Board Netzteil / Carte d'alimentation / Voedingsplaat / Płytką zasilacza	E	220-240V AC Output 220-240V AC-Ausgang Sortie 220-240V AC 220-240V AC uitgang wyjście 220-240V AC
6	Control Board Steuertafel / Carte de Commande / Besturingsplaat / Płytką sterowania	F	24V DC Output 24V DC-Ausgang Sortie 24V DC 24 DC uitgang wyjście 24V DC
7	Air Sensor Luftsensor / Sonde de température air / Luchtsensor / Czujnik powietrza		
8	Water Sensor Wassersensor / Sonde de température eau / Watersensor / Czujnik wody		
9	Water Sensor (4P Only) Wassersensor (nur 4P) / Sonde de température eau (4P uniquement) / Watersensor (alleen 4P) / Czujnik wody (tylko 4P)		

**Appendix (continued...) / Anhang (fortsetzung...) / Annexe (suite...) / Bijlage (vervolg...) / Załącznik (ciąg dalszy...)**
**Performance Data 2-Pipe (Type BC/BN/FC/FN) / Leistungen 2-Rohr (Nur für Typ BC/BN/FC/FN) /  
Donner de performance 2 tubes (Type BC/BN/FC/FN uniquement) / Technische data 2 pijp systeem  
(Alleen type BC/BN/FC/FN) / Wydajność wersji 2-rurowej (Wyłącznie modele BC/BN/FC/FN)**

Model	Fan Speed*	Heat Output (Watts)								Cooling (Watts)	
		Flow (l/h)	$\Delta T_{20}$	$\Delta T_{25}$	$\Delta T_{30}$	$\Delta T_{35}$	$\Delta T_{40}$	$\Delta T_{45}$	$\Delta T_{50}$	Condition 7-12-27	
										Total	Sensible
2-080	Min	341	738	940	1146	1355	1567	1781	1997	707	527
	Max	341	1360	1733	2113	2499	2889	3284	3682	1648	1227
2-100	Min	450	1012	1289	1572	1859	2149	2443	2739	1011	753
	Max	450	1892	2412	2941	3477	4020	4569	5124	2304	1716
2-120	Min	600	1214	1548	1887	2231	2580	2932	3288	1520	931
	Max	600	2409	3070	3743	4425	5117	5815	6521	2918	2173
2-140	Min	700	1428	1820	2219	2624	3034	3449	3867	1490	1110
	Max	700	2916	3716	4531	5357	6194	7040	7894	3533	2631
2-160	Min	800	1647	2099	2560	3027	3499	3977	4460	1729	1288
	Max	800	3422	4362	5318	6288	7270	8263	9266	4147	3088

For BTUs multiply Watts by 3.412.

Für BTU Leistungen sind die Leistungen in WATT mit 3,412 zu multiplizieren.

Conversion en BTU multipliez les Watts par 3.412.

Voor BTU gelieve het vermogen weergeven in Watt te vermenigvuldigen met 3,412.

Dla uzyskania mocy BTU należy wartość w watach pomnożyć razy 3,412.

**Relative Humidity:** Sensible cooling at 50%.

**Relative Luftfeuchtigkeit:** Sensible Kühlung bei 50%.

**Humidité relative:** Sensible en froid a 50%.

**Relatieve vochtigheid:** Voelbare koeling aan 50%.

**Wilgotność względna:** Moc chłodnicza jawna przy 50%.

**Performance Data 4-Pipe (Type BC/BN/FC/FN) / Leistungen 4-Rohr (Nur für Typ BC/BN/FC/FN) /  
Donné de performance 4 tubes (Type BC/BN/FC/FN uniquement) / Technische data 4 pijp systeem  
(Alleen type BC/BN/FC/FN) / Wydajność wersji 4-rurowej (Wyłącznie modele BC/BN/FC/FN)**

Model	Fan Speed*	Heat Output (Watts)								Cooling (Watts)		
		Flow (l/h)	$\Delta T_{20}$	$\Delta T_{25}$	$\Delta T_{30}$	$\Delta T_{35}$	$\Delta T_{40}$	$\Delta T_{45}$	$\Delta T_{50}$	Condition 7-12-27		
										Flow (l/h)	Total	Sensible
4-080	Min	300	517	658	802	949	1097	1247	1398	350	672	501
	Max	300	952	1213	1479	1749	2022	2299	2577	350	1566	1166
4-100	Min	350	708	902	1100	1301	1504	1710	1917	450	960	715
	Max	350	1324	1688	2059	2334	2814	3198	3587	450	2189	1630
4-120	Min	400	850	1084	1321	1562	1806	2052	2302	600	1444	884
	Max	400	1686	2149	2620	3098	3582	4071	4565	600	2772	2064
4-140	Min	450	1000	1274	1553	1837	2124	2414	2707	700	1416	1055
	Max	450	2041	2601	3172	3750	4336	4928	5526	700	3356	2499
4-160	Min	500	1153	1469	1792	2119	2449	2784	3122	800	1643	1224
	Max	500	2395	3053	3723	4402	5089	5784	6486	800	3940	2934

For BTUs multiply Watts by 3.412.

Für BTU Leistungen sind die Leistungen in WATT mit 3,412 zu multiplizieren.

Conversion en BTU multipliez les Watts par 3.412.

Voor BTU gelieve het vermogen weergeven in Watt te vermenigvuldigen met 3,412.

Dla uzyskania mocy BTU należy wartość w watach pomnożyć razy 3,412.

**Relative Humidity:** Sensible cooling at 50%.

**Relative Luftfeuchtigkeit:** Sensible Kühlung bei 50%.

**Humidité relative:** Sensible en froid a 50%.

**Relatieve vochtigheid:** Voelbare koeling aan 50%.

**Wilgotność względna:** Moc chłodnicza jawna przy 50%.

\*Outputs shown at fan speeds via Type BC/FC - may differ with an external controller.

\*Die angegebenen Leistungen sind gültig bei iVECTOR-Ausführungen mit Steuerung (Typen BC / FC) - bei Verwendung externer Thermostate/Regler, können diese abweichen.

\*Puissance fourni en accord avec vitesse pour type BC/FC cela peut varie avec une régulation externe.

\*Vermogen weergeven i.f.v. ventilator snelheid voor Type BC/FC kan verschillen indien een externe regelaar gebruikt wordt.

\*Moc dla prędkości wentylatora w urządzeniach typu BC/FC - przy zastosowaniu zewnętrznego regulatora wyniki mogą się różnić.

**Appendix (continued...) / Anhang (fortsetzung...) / Annexe (suite...) / Bijlage (vervolg...) / Załącznik (ciąg dalszy...)**
**Technical Information**

		Fan Speed	Model				
			iV60x080	iV60x100	iV60x120	iV60x140	iV60x160
<b>Dimensions</b>	Nominal Height (mm)	-	600	600	600	600	600
	Depth (mm)	-	153	153	153	153	153
	Length (mm)	-	800	1000	1200	1400	1600
<b>Sound Levels*</b>	Sound Pressure (dBA) (at 2.5m)	Min	20.9	22.5	20.9	21.1	21.9
		Max	39.9	42.0	41.2	44.9	43.3
	Sound Power (dBA)	Min	33.8	35.4	33.8	34.0	34.8
		Max	52.8	59.9	54.1	57.8	56.2
<b>Motor Power (W)</b>		Min	3.5	3.6	3.8	4.5	4.6
		Max	13	18.5	23	30	35
<b>Weight and Water Content†</b>	2 Pipe Water Content (l)	-	0.66	0.92	1.19	1.45	1.72
	4 Pipe Water Content (l)	-	0.33	0.46	0.6	0.73	0.86
	2 Pipe Unpacked Weight (kg)	-	22.8	27.7	32.5	37.5	42.6
	4 Pipe Unpacked Weight (kg)	-	24.8	30.1	35.3	40.7	46.2
		Flow (l/h)	Model				
			iV60x080	iV60x100	iV60x120	iV60x140	iV60x160
<b>Flow Rates/ Pressure Losses</b>	Pressure Drop (kPa) (2 Pipe Heating/Cooling & 4 Pipe Cooling)	100	0.7	1	1.4	1.6	1.9
		150	1.4	2.1	2.9	3.2	3.7
		220	2.9	4.1	5.5	6.1	7.1
		330	6.1	8.5	11.1	12.2	14.2
		500	13	17.8	22.9	24.9	28.7
		750	27.5	36.5	46.2	49.8	57.1
	Pressure Drop (kPa) (4 Pipe Heating)	100	1.4	2	2.8	3.2	3.8
		150	2.8	4.2	5.8	6.4	7.4
		220	5.8	8.2	11	12.2	14.2
		330	12.2	17	22.2	24.4	28.4
		500	26	35.6	45.8	49.8	57.4

\* Sound levels tested in accordance with ISO 3741. Sound performance show at fan speeds via controls unit - may differ with external controller.

† 2 pipe water content = 2 pipe heating/cooling or 4 pipe cooling and 4 pipe water content = 4 pipe heating.

**Electrical Data**

All iVECTOR models rated by an electrical supply of 100-240V  
50/60Hz fused at 3A.

## Anhang (fortsetzung...)

## Technische Informationen

		Gebläse- drehzahl	Modell				
			iV60x080	iV60x100	iV60x120	iV60x140	iV60x160
Abmessungen	Nennhöhe (mm)	-	600	600	600	600	600
	Tiefe (mm)	-	153	153	153	153	153
	Länge (mm)	-	800	1000	1200	1400	1600
Schallpegel*	Schalldruck (dBA) (bei 2,5m)	Min	20.9	22.5	20.9	21.1	21.9
		Max	39.9	42.0	41.2	44.9	43.3
	Schallleistung (dBA)	Min	33.8	35.4	33.8	34.0	34.8
		Max	52.8	59.9	54.1	57.8	56.2
Motorleistung (W)		Min	3.5	3.6	3.8	4.5	4.6
		Max	13	18.5	23	30	35
Gewicht und Wasservolumen†	Wasservolumen 2 Leitungen (l)	-	0.66	0.92	1.19	1.45	1.72
	Wasservolumen 4 Leitungen (l)	-	0.33	0.46	0.6	0.73	0.86
	Nettogewicht 2 Leitungen (kg)	-	22.8	27.7	32.5	37.5	42.6
	Nettogewicht 4 Leitungen (kg)	-	24.8	30.1	35.3	40.7	46.2
		Durchfluss (l/h)	Modell				
			iV60x080	iV60x100	iV60x120	iV60x140	iV60x160
Durchflussraten/ Druckverluste	Druckabfall (kPa) (Heizen/Kühlen mit 2 Leitungen und Kühlen mit 4 Leitungen)	100	0.7	1	1.4	1.6	1.9
		150	1.4	2.1	2.9	3.2	3.7
		220	2.9	4.1	5.5	6.1	7.1
		330	6.1	8.5	11.1	12.2	14.2
		500	13	17.8	22.9	24.9	28.7
		750	27.5	36.5	46.2	49.8	57.1
	Druckabfall (kPa) (Heizen mit 4 Leitungen)	100	1.4	2	2.8	3.2	3.8
		150	2.8	4.2	5.8	6.4	7.4
		220	5.8	8.2	11	12.2	14.2
		330	12.2	17	22.2	24.4	28.4
		500	26	35.6	45.8	49.8	57.4

\* Schallpegel in Übereinstimmung mit ISO 3741 geprüft. Schallleistung bei Steuerung der Gebläsedrehzahl über Steuerungseinheit - kann bei externer Steuerung davon abweichen.

† Wasservolumen 2 Leitungen = Heizen/Kühlen 2 Leitungen oder Kühlen 4 Leitungen und Wasservolumen 4 Leitungen = Heizen 4 Leitungen.

## Elektrische Daten

Alle iVECTOR-Modelle sind für eine Stromversorgung mit 100-240 V 50/60 Hz ausgelegt und mit 3A abgesichert.

## Annexes (suite...)

## Caractéristiques techniques

		Vitesse de ventilation	Modèle				
			iV60x080	iV60x100	iV60x120	iV60x140	iV60x160
Dimensions	Hauteur nominale (mm)	-	600	600	600	600	600
	Profondeur (mm)	-	153	153	153	153	153
	Longueur (mm)	-	800	1000	1200	1400	1600
Niveaux sonores*	Pression acoustique à 2,5m (dBA)	Min	20.9	22.5	20.9	21.1	21.9
		Max	39.9	42.0	41.2	44.9	43.3
	Puissance acoustique	Min	33.8	35.4	33.8	34.0	34.8
		Max	52.8	59.9	54.1	57.8	56.2
Puissance moteur (W)		Min	3.5	3.6	3.8	4.5	4.6
		Max	13	18.5	23	30	35
Poids et volume d'eau†	Volume d'eau 2 tubes (l)	-	0.66	0.92	1.19	1.45	1.72
	Volume d'eau 4 tubes (l)	-	0.33	0.46	0.6	0.73	0.86
	Modèles 2 tubes - poids hors emballage (kg)	-	22.8	27.7	32.5	37.5	42.6
	Modèles 4 tubes - poids hors emballage (kg)	-	24.8	30.1	35.3	40.7	46.2
		Débit (l/h)	Modèle				
			iV60x080	iV60x100	iV60x120	iV60x140	iV60x160
Débits/Pertes de pression	Perte de pression (kPa) (2 tubes de chauffage/climatisation et 4 tubes de climatisation)	100	0.7	1	1.4	1.6	1.9
		150	1.4	2.1	2.9	3.2	3.7
		220	2.9	4.1	5.5	6.1	7.1
		330	6.1	8.5	11.1	12.2	14.2
		500	13	17.8	22.9	24.9	28.7
		750	27.5	36.5	46.2	49.8	57.1
	Baisse de pression (kPa) (4 tubes de chauffage)	100	1.4	2	2.8	3.2	3.8
		150	2.8	4.2	5.8	6.4	7.4
		220	5.8	8.2	11	12.2	14.2
		330	12.2	17	22.2	24.4	28.4
		500	26	35.6	45.8	49.8	57.4

\* Niveaux acoustiques testés conformément à la norme ISO 3741. Performance acoustique selon la vitesse de ventilation affichée sur le panneau de contrôle - peut varier avec un contrôleur externe.

† Volume d'eau 2 tubes = 2 tubes chauffage/climatisation ou 4 tubes de climatisation et volume d'eau 4 tubes = 4 tubes de chauffage.

## Caractéristiques électriques

Tous les modèles iVECTOR sont dimensionnés pour un fonctionnement avec une alimentation électrique de 100-240 V, 50/60 Hz, avec fusible de 3A.

## Bijlage (vervolg...)

## Technische informatie

		Ventilat- orsnelheid	Model				
			iV60x080	iV60x100	iV60x120	iV60x140	iV60x160
Afmetingen	Nominale hoogte (mm)	-	600	600	600	600	600
	Diepte (mm)	-	153	153	153	153	153
	Lengte (mm)	-	800	1000	1200	1400	1600
Geluidsniveau*	Geluidsdruk (dBA) (op 2,5 m))	Min	20.9	22.5	20.9	21.1	21.9
		Max	39.9	42.0	41.2	44.9	43.3
	Geluidsvermogen (dBA)	Min	33.8	35.4	33.8	34.0	34.8
		Max	52.8	59.9	54.1	57.8	56.2
Motorvermogen (W)		Min	3.5	3.6	3.8	4.5	4.6
		Max	13	18.5	23	30	35
Gewicht en waterinhoud†	Waterinhoud 2 leidingen (l)	-	0.66	0.92	1.19	1.45	1.72
	Waterinhoud 4 leidingen (l)	-	0.33	0.46	0.6	0.73	0.86
	Onverpakt gewicht 2 leidingen (kg)	-	22.8	27.7	32.5	37.5	42.6
	Onverpakt gewicht 4 leidingen (kg)	-	24.8	30.1	35.3	40.7	46.2
		Debiet (l/u)	Model				
			iV60x080	iV60x100	iV60x120	iV60x140	iV60x160
Debieten/ Drukvalen	Drukval (kPa) (2 leidingen verwarmen/ koelen en 4 leidingen koelen)	100	0.7	1	1.4	1.6	1.9
		150	1.4	2.1	2.9	3.2	3.7
		220	2.9	4.1	5.5	6.1	7.1
		330	6.1	8.5	11.1	12.2	14.2
		500	13	17.8	22.9	24.9	28.7
		750	27.5	36.5	46.2	49.8	57.1
	Drukval (kPa) (4 leidingen verwarmen)	100	1.4	2	2.8	3.2	3.8
		150	2.8	4.2	5.8	6.4	7.4
		220	5.8	8.2	11	12.2	14.2
		330	12.2	17	22.2	24.4	28.4
		500	26	35.6	45.8	49.8	57.4

\* Geluidsniveau getest volgens ISO 3741. Getoonde geluidsprestaties bij ventilatorsnelheden via apparaat met regeling - kan verschillen bij externe regelaar.

† Waterinhoud 2 leidingen = verwarmen/koelen 2 leidingen of koelen 4 leidingen en waterinhoud 4 leidingen = verwarmen 4 leidingen.

## Elektrische gegevens

Alle iVECTOR-modellen zijn gekeurd met een elektrische voeding van 100-240V 50/60Hz en een zekering van 3A.

## Załącznik (ciąg dalszy...)

## Informacje techniczne

		Obroty wentylatorów	Model				
			iV60x080	iV60x100	iV60x120	iV60x140	iV60x160
Wymiary	Wysokość (mm)	-	600	600	600	600	600
	Głębokość (mm)	-	153	153	153	153	153
	Długość (mm)	-	800	1000	1200	1400	1600
Poziomy akustyczne*	Ciśnienie akustyczne (dBA) (na wys. 2,5 m)	Min	20.9	22.5	20.9	21.1	21.9
		Maks	39.9	42.0	41.2	44.9	43.3
	Moc akustyczna źródła (dBA)	Min	33.8	35.4	33.8	34.0	34.8
		Maks	52.8	59.9	54.1	57.8	56.2
Moc silnika (W)		Min	3.5	3.6	3.8	4.5	4.6
		Maks	13	18.5	23	30	35
Waga i zawartość wody†	Zawartość wody – 2 rury (l)	-	0.66	0.92	1.19	1.45	1.72
	Zawartość wody – 4 rury (l)	-	0.33	0.46	0.6	0.73	0.86
	Waga przed rozpakowaniem – 2 rury (kg)	-	22.8	27.7	32.5	37.5	42.6
	Waga przed rozpakowaniem – 4 rury (kg)	-	24.8	30.1	35.3	40.7	46.2
		Flow (l/h)	Model				
			iV60x080	iV60x100	iV60x120	iV60x140	iV60x160
Natężenie przepływu / utrata ciśnienia	Spadek ciśnienia (kPa) (2 rury – ogrzewanie/ chłodzenie oraz 4 rury – chłodzenie)	100	0.7	1	1.4	1.6	1.9
		150	1.4	2.1	2.9	3.2	3.7
		220	2.9	4.1	5.5	6.1	7.1
		330	6.1	8.5	11.1	12.2	14.2
		500	13	17.8	22.9	24.9	28.7
		750	27.5	36.5	46.2	49.8	57.1
	Spadek ciśnienia (kPa) (4 rury – ogrzewanie)	100	1.4	2	2.8	3.2	3.8
		150	2.8	4.2	5.8	6.4	7.4
		220	5.8	8.2	11	12.2	14.2
		330	12.2	17	22.2	24.4	28.4
		500	26	35.6	45.8	49.8	57.4

\* Poziomy akustyczne mierzone zgodnie z normą ISO 3741. Wydajność dźwiękowa dla prędkości wentylatora ukazana na regulatorze – wartości mogą różnić się w przypadku zastosowania zewnętrznego regulatora.

† Zawartość wody w 2 rurach = zawartość wody dla 2 rur przy ogrzewaniu/chłodzeniu lub 4 rur przy chłodzeniu; zawartość wody w 4 rurach = zawartość wody dla 4 rur przy ogrzewaniu.

## Dane elektryczne

Wszystkie modele iVECTOR przeznaczone są do pracy ze znamionowym zasilaniem elektrycznym 100–240V 50/60Hz z bezpiecznikiem 3A.



**heating**through**innovation.**